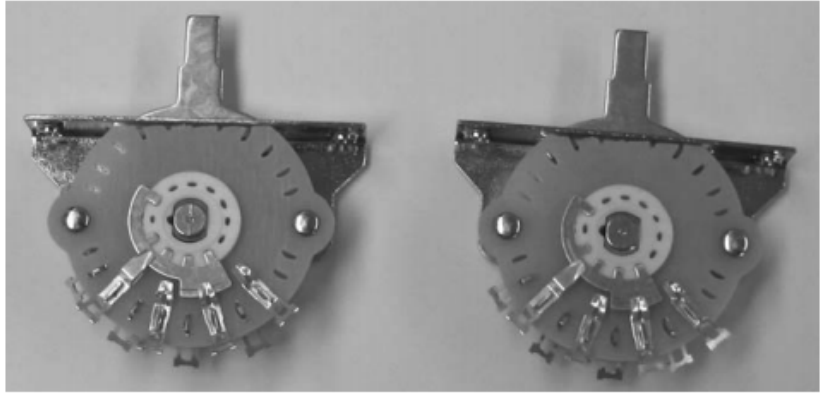


# Rotary Switches



## Specifications

### Electrical Characteristics

#### Current and Voltage Ratings

Resistive load. Silver plated brass, make and break;

1.5 amp at 28 VDC, .230 amp at 115 VAC RMS

.22 amp at 100 VDC, 1.75 amp at 24 VAC RMS

#### Current Carrying Capacity

Silver plated brass: 9 amps

#### Dielectric Strength

1,500 VAC between critical parts and ground

#### Contact Resistance

Silver plated parts: average initial 3 milliohms

### Mechanical Characteristics

#### Index

The frame uses indexing bumps of the Hill & Valley type to ensure positive indexing at each of the positions available. A single roller type bearing of Type 303 stainless steel to ensure positive engagement with the indexing valleys of the frame.

#### Contact Staking

Solder-lug clips are secured to the stator using Electroswitch's patented "T" slugs

### Insulation/Temperature/Levers

#### Insulation

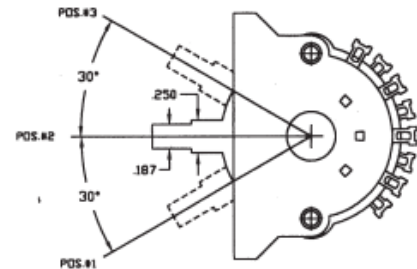
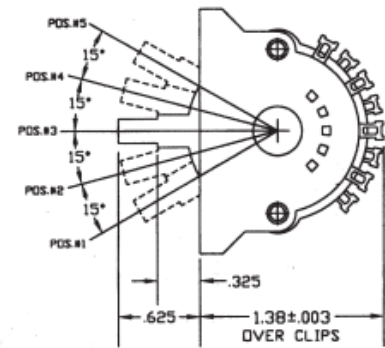
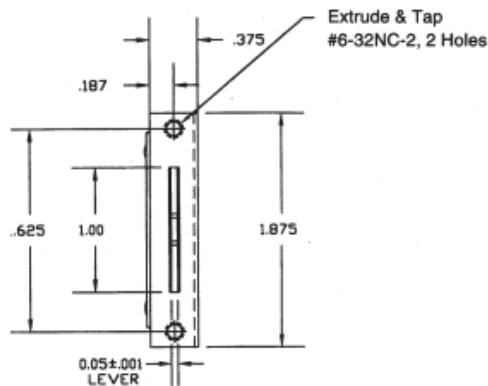
Glass epoxy

#### Temperature

Standard commercial -25°C to +85°C

#### Levers

Uses standard push button switch knobs that fit a .187" x .050" dimension



| Positions | Poles | Detent Angle | Lever Length |
|-----------|-------|--------------|--------------|
|-----------|-------|--------------|--------------|

|   |   |     |       |
|---|---|-----|-------|
| 5 | 2 | 15° | .625" |
|---|---|-----|-------|