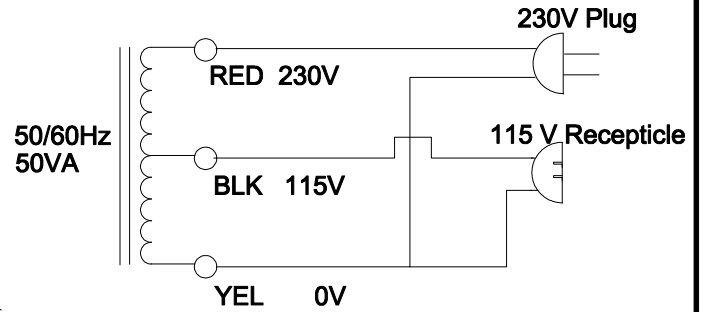
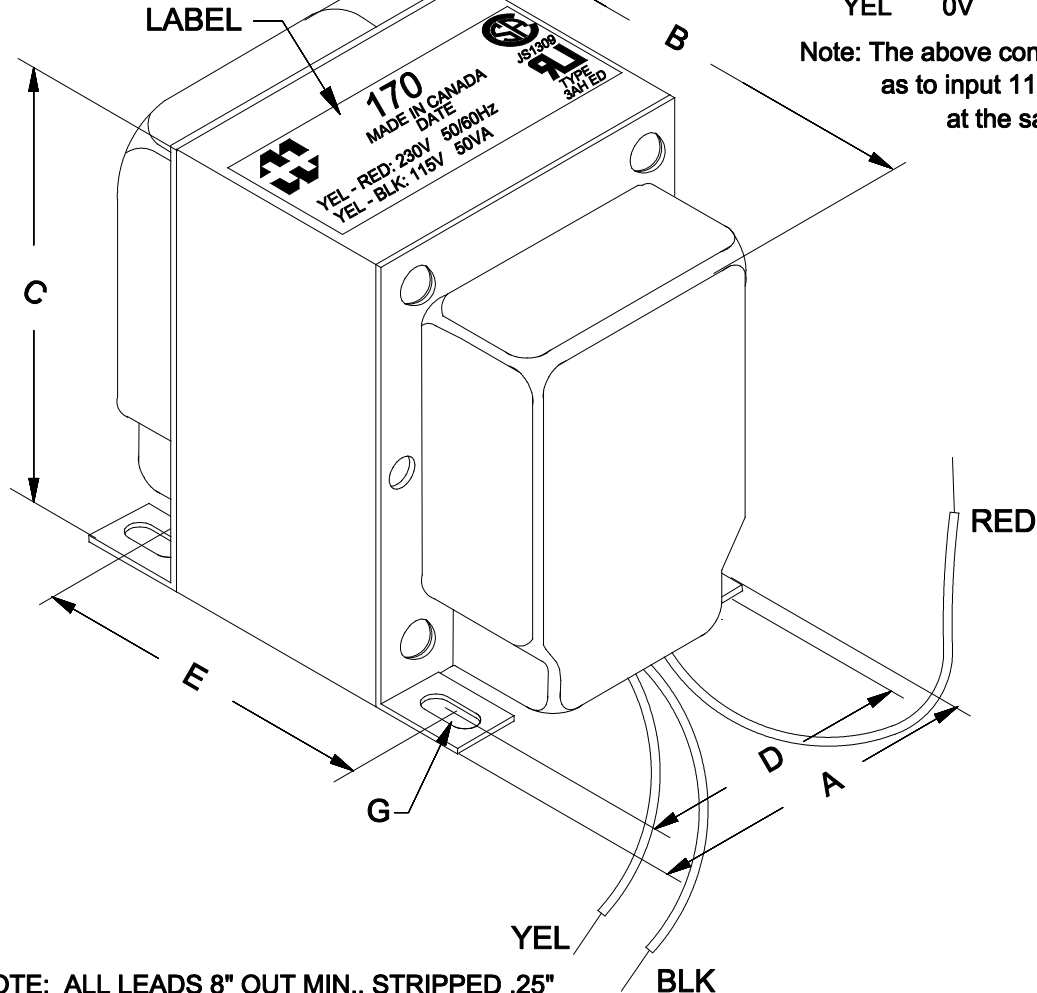


DIMENSIONS:	
A	2.188" ±0.063
B	2.625" ±0.125
C	2.625" ±0.063
D	1.750" ±0.063
E	1.563" ±0.063
G	0.188" x 0.250" ±0.015



Note: The above connection can be reversed as to input 115V and output 230V at the same power rating.



NOTE: ALL LEADS 8" OUT MIN., STRIPPED .25"

**ELECTRICAL DATA:**

TESTS	CONDITIONS	ACCEPTANCE CRITERIA
I <sub>ex</sub>	@ 230V, 60Hz, YEL - RED	48mA MAX.
Sec. N.L.V.	@ 230V, 60Hz, YEL - RED	
	YEL - BLK =	115V ±2%
DCR	@ 20°C, YEL - RED =	26.36 Ω ±20%
HIPOT	PRIMARY - CORE	2000V, 60Hz, 1 SEC



**HAMMOND MANUFACTURING™**  
**ELECTRONIC DIVISION**  
 52 RANKIN PLACE,  
 WATERLOO, ONTARIO, N2J 3Z5  
 PH # (519) 886-6181  
 FAX # (519) 886-9540

TITLE				170
LINE AUTO-TRANSFORMER				
NO	DATE	REVISION	DWG. BY	
0	02/28/14	RELEASED.	C.I. CORINA ILIE	
			DATE 02/28/14	
DIM IN(X)MM( )				