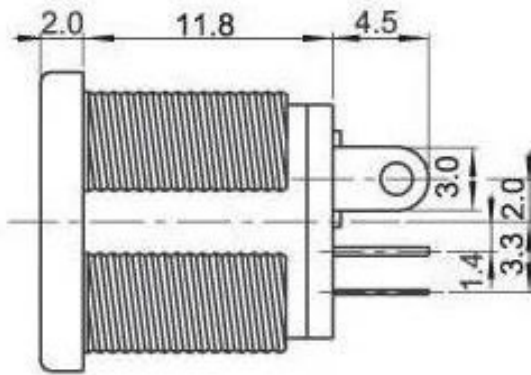
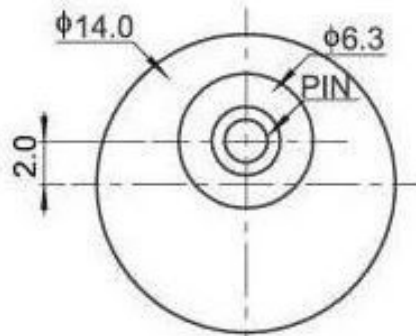
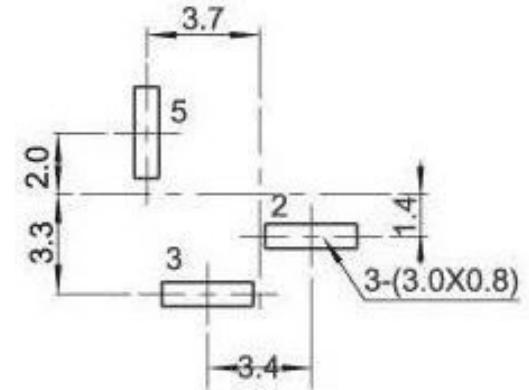




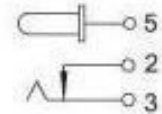
DC022



P.C.B LAYOUT TOP VIEW



PIN	φ2.0	φ2.5
APPD		



Dimension ± 0.2mm