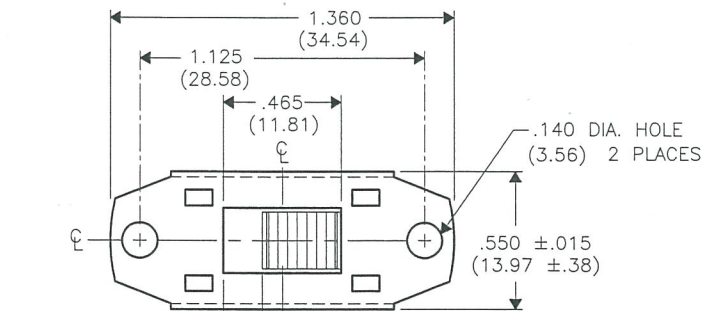


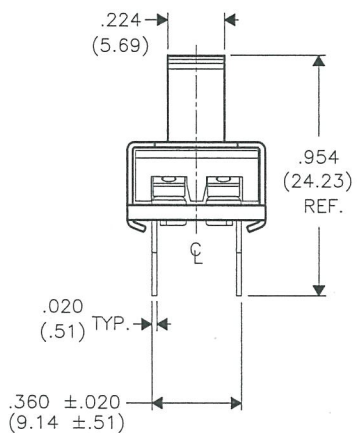
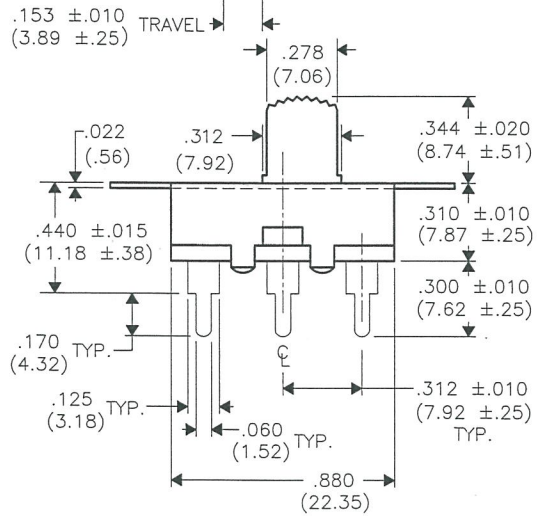
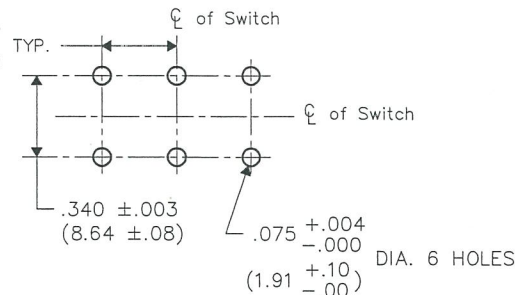
THIS INFORMATION IS CONFIDENTIAL AND PROPRIETARY TO CW INDUSTRIES INCORPORATED AND ITS AFFILIATES. IT MAY NOT BE DISCLOSED TO ANYONE OTHER THAN CW INDUSTRIES PERSONNEL, WITHOUT WRITTEN AUTHORIZATION FROM CW INDUSTRIES INCORPORATED, SOUTHAMPTON, PENNSYLVANIA, USA.

DIMENSIONS IN INCHES (MILLIMETERS)
DO NOT SCALE DRAWING

Dwg. No.
GF-326-0260



P.C. LAYOUT



B-FORMAT 2002	REVISIONS	0	RELEASED: DGW 1-27-2016 JAN 28 2016							CW INDUSTRIES Southampton, Pa. 18966 <small>TOLERANCES UNLESS OTHERWISE SPECIFIED</small> 2 Place Decimal ±.010 METRIC 3 Place Decimal ±.005 1 Place Dec. ±.25mm Angles ±1' 2 Place Dec. ±.13mm		Title: SLIDE SWITCH ASSEMBLY D.P. - D.T.	
		Made for: CW IND.		Division:		SWITCH		Dwg. No.		GF-326-0260			
		Drawn by: DGW 1-27-2016		Checked by: G. GULD 1-28-16		Approval: G. GULD 1-28-16							

MASTER