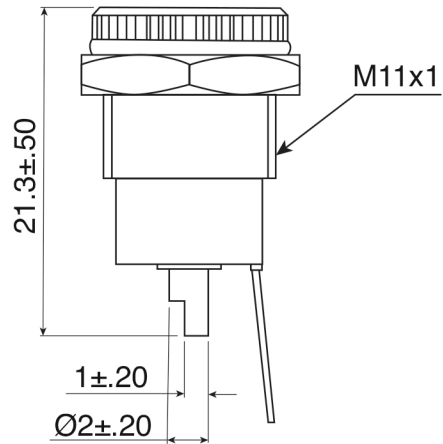
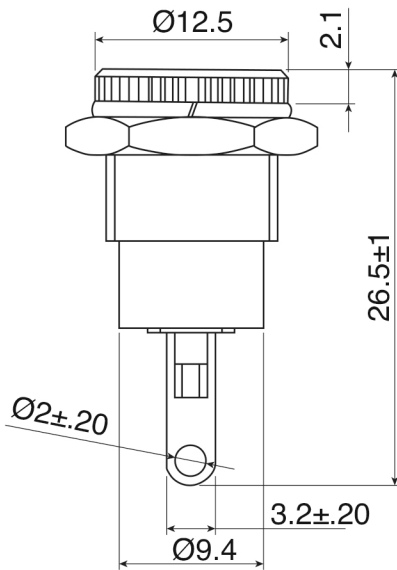
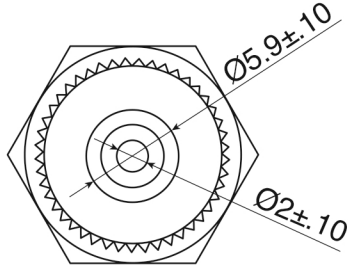


# DC Power Jack

163-R123B-E

Date Last Revised: 9/2/21

DIMENSIONS: mm



## Specifications:

- Rating : 3A/125VAC/24VDC
- Insulation Resistance :  $100\text{M}\Omega$  @ 500VDC
- Dielectric Strength : 1000VAC for 1 minute
- Operation Temperature :  $-20^{\circ}\text{C} \sim +80^{\circ}\text{C}$

**Note:** RoHS Compliant by Exemption