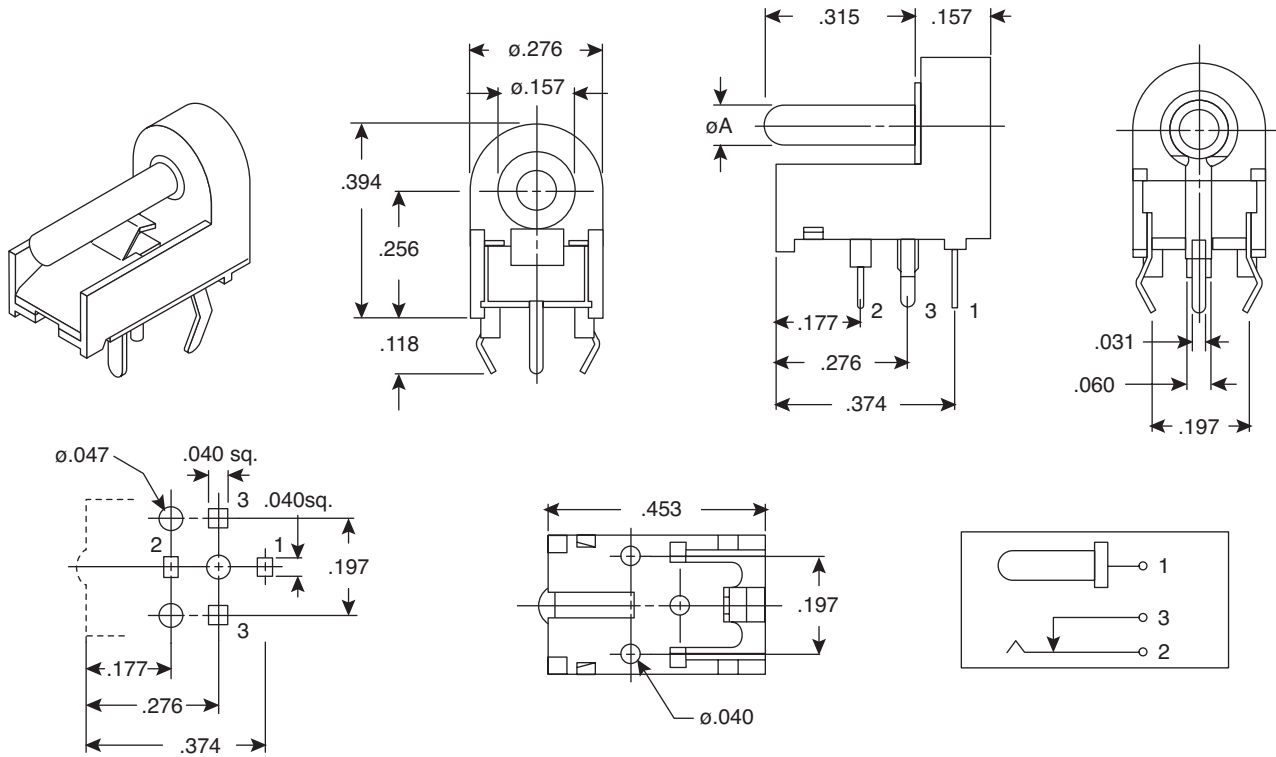


# Jacks

163-5010-E, 163-5011-E

**KOBI**CONN

Jacks



DIMENSIONS: In.

## SPECIFICATIONS

<b>Insulation resistance:</b>	50MΩ min. @ 500VDC
<b>Dielectric strength:</b>	250VAC for 1 minute
<b>Contact resistance:</b>	30mΩ max.
<b>Housing material:</b>	PBT
This product should not be washed by a chloride	
RoHS Compliant	

<b>Mouser Stock No.</b>	Center Pin (A)
<b>163-5010-E</b>	2.0+0 -.05mm
<b>163-5011-E</b>	2.49+0 -.05mm

Date Last Revised: 8-23-06

Available from Mouser Electronics  
1-800-346-6873  
www.mouser.com

KC-301049

163-5010-E, 163-5011-E