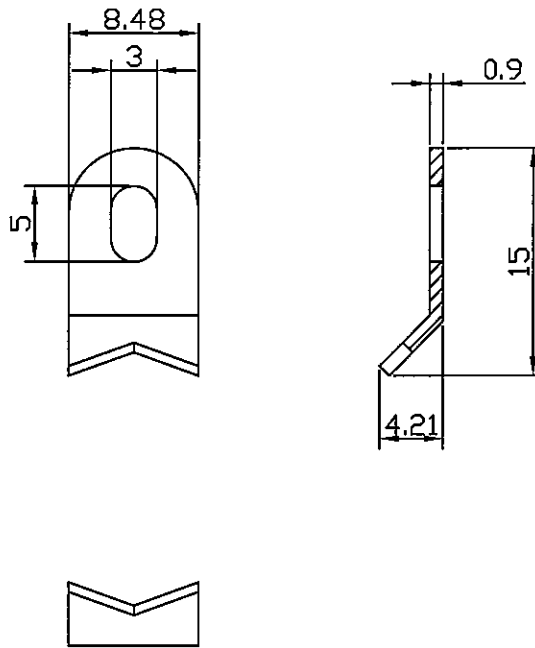


Material: SK5, Zn-plated



Tolerances Unless Otherwise Specified ± 0.3

						△
						△
Date	Name	Description				No.
Drawn	Checked	Approved	SCI BOM No.	Model Name	Clamp	
曹盈芳		<i>王</i>	Customer No.	48R248C4-E	Model No.	R2-48SC004
12/11/14		12/11/14	Unit	mm	Shin Chin Industrial Co., Ltd.	
						Rev. 0

Mouser Electronics

Authorized Distributor

Click to View Pricing, Inventory, Delivery & Lifecycle Information:

[Shin Chin:](#)

[R2-48SC004](#)