

DIMENSIONS:	
A	3.13" ±0.063
B	5.10" ±0.125
C	3.75" ±0.063
D	2.00" ±0.063
E	2.50" ±0.063
F	3.13" ±0.063

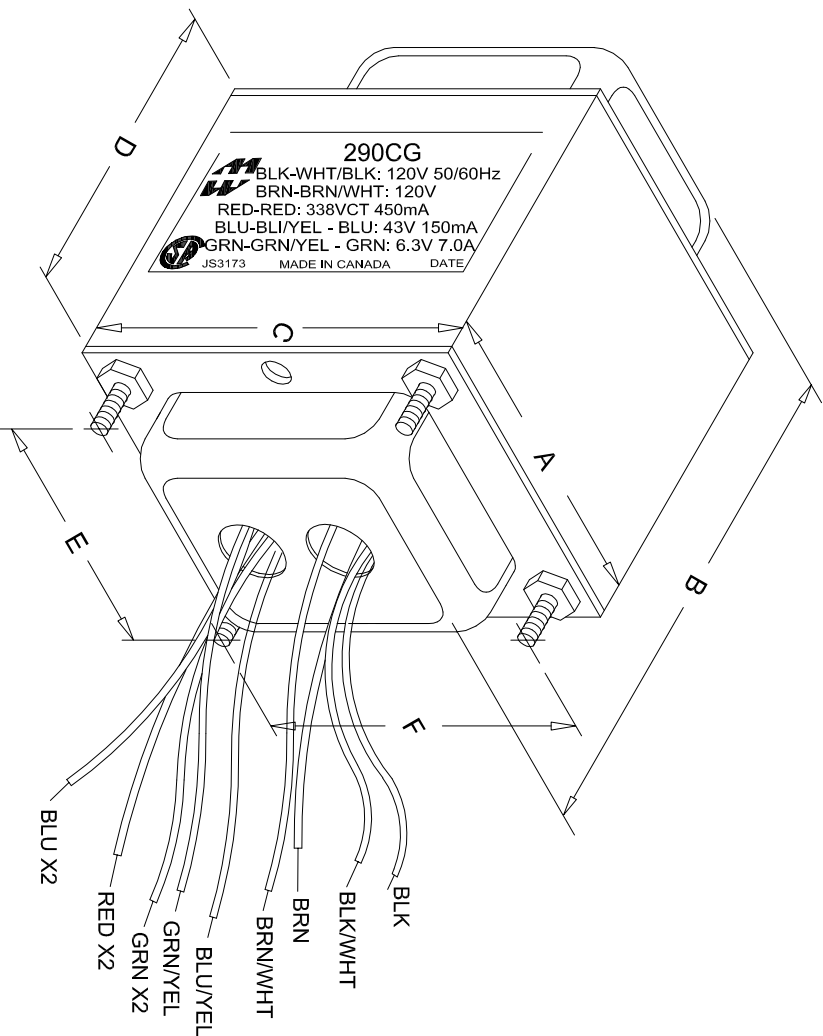
**HAMMOND MANUFACTURING**  
**290CG**

E207860  
TYPE: 3AH ED

PRI: BLK - BLK/WHT 120V 50/60Hz  
PRI: BLN - BRN/WHT 120V  
OUTPUT: RED - RED @ 338V @ 450mA  
OUTPUT: BLU - BLU/YEL - BLU 32V @ 150mA  
OUTPUT: GRN - GRN/YEL - GRN 6.3V @ 7.0A

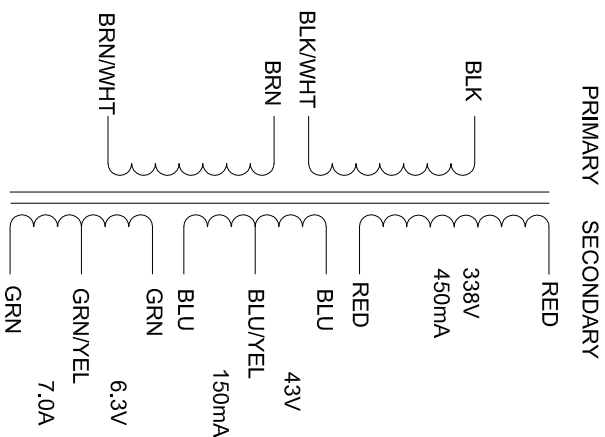
DATE      MADE IN CANADA

JS3173



NOTE: ALL LEADS 9" OUT MIN., STRIPPED .5"

PROPERTY AND COPYRIGHT NOTICE  
THIS DRAWING AND THE INFORMATION IT CONVEYS ARE THE PROPERTY OF HAMMOND MANUFACTURING. IT MAY NOT BE REPRODUCED, TRANSMITTED OR USED IN ANY MANNER WHATSOEVER WITHOUT THE WRITTEN PERMISSION OF HAMMOND MANUFACTURING.



**ELECTRICAL DATA:**

TESTS	CONDITIONS	ACCEPTANCE CRITERIA
lex	@ 120V, 60Hz, BLK - BLK/WHT	400 mA      Max.
Sec. N.L.V	@ 120V, 60Hz, BLK - BLK/WHT	
	BRN - BRN/WHT =	120V ±2%
	RED - RED =	354.3V ±2%
	GRN - GRN =	6.614V ±3%
	GRN - GRN/YEL = GRN/YEL - GRN =	3.307V ±3%
	BLU - BLU/YEL - BLU =	45.35V ±3%
DCR	@ 20°C, BLK - BLK/WHT =	2.49 Ω ±20%
	@ 20°C, BRN - BRN/WHT =	2.680 Ω ±20%
	@ 20°C, RED - RED =	6.00 Ω ±20%
	@ 20°C, BLU - BLU =	18.11 Ω ±20%
	@ 20°C, GRN - GRN =	0.75 Ω ±20%
HIPOT	PRIMARY - SECONDARY	2000V, 60Hz, 1 SEC

**HAMMOND MANUFACTURING**



DWG. BY: D.HUTT  
DATE: 10/19/2021

CHK'D BY:  
APP'D. BY:  
DIMENSIONS: IN(X) MM( )

TITLE: AUDIO POWER TRANSFORMER

DWG. NO. 290CG

**ELECTRONIC DIVISION**  
52 RANKIN PLACE,  
WATERLOO, ONTARIO, N2J 3Z5  
PH # (519) 886-6181  
FAX # (519) 886-9540

REV #	REVISION	DATE
0	RELEASED.	10/19/2021