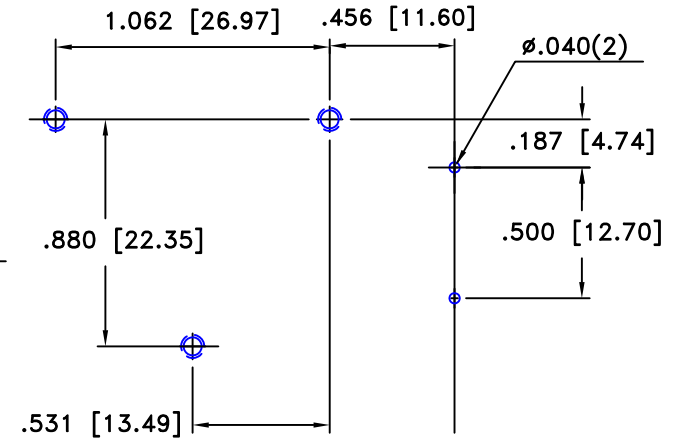
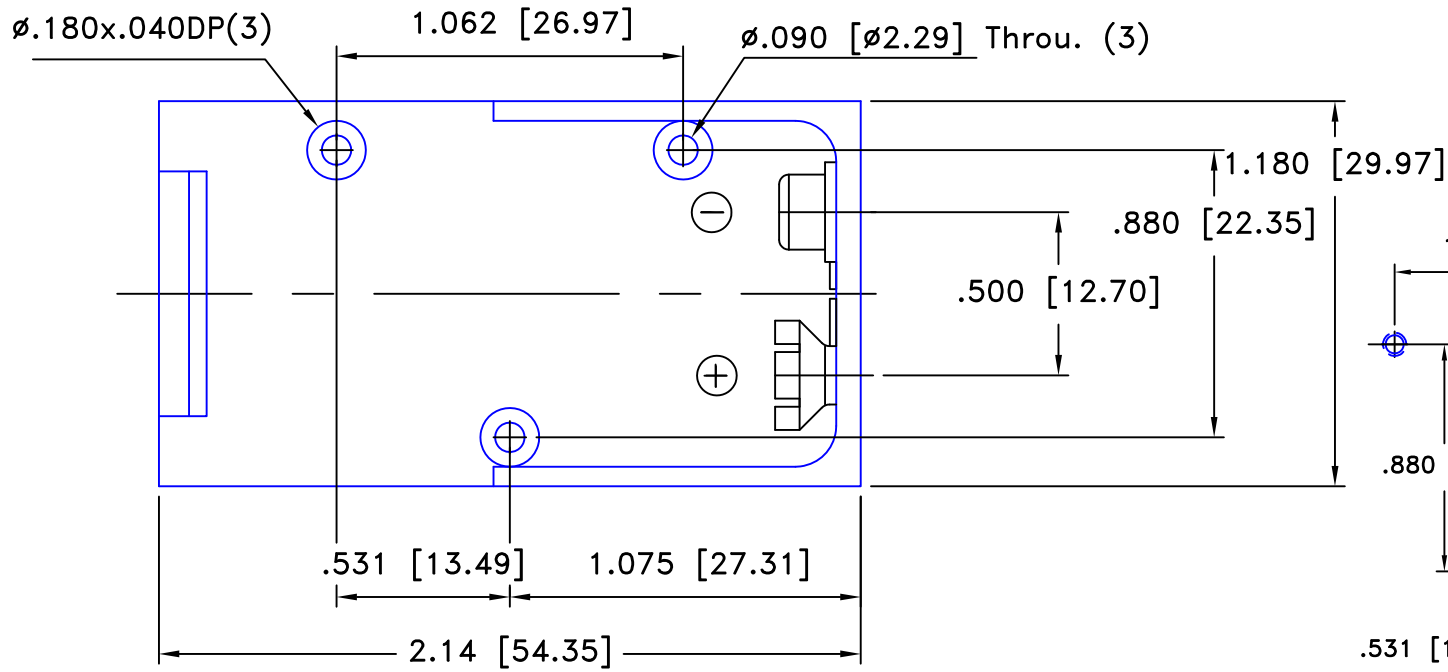
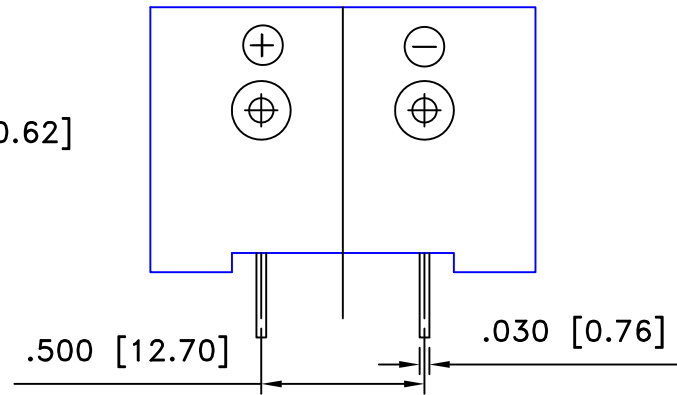
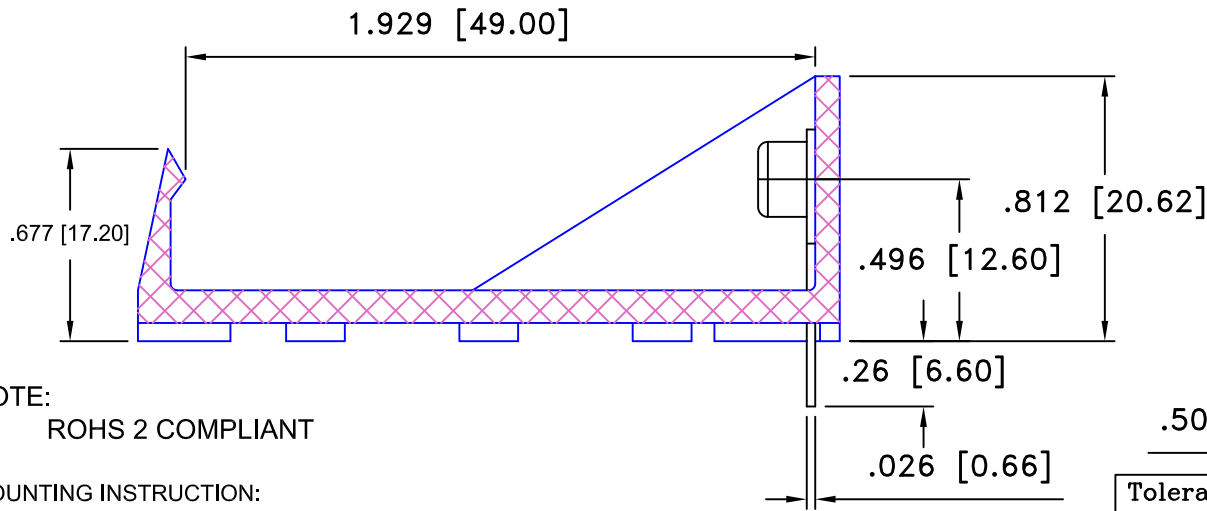


Date	SYM	REVISION RECORD	AUTH	DR.	CK.
6/13/14	D	Updated to ROHS 2 Compliant	T.B.	B.S.	
3/31/17	E	Updated title and material note	T.B.	B.S.	
5/05/17	F	Dim. .677 was .67	T.B.	B.S.	




PCB LAYOUT



NOTE:
ROHS 2 COMPLIANT

MOUNTING INSTRUCTION:
USE 2-56 MACHINE SCREWS OR EYELETS 0.089" OD
BY 0.15" FLANGE STIMPSON GS-3 SERIES OR EQUIVALENT.
ALSO ADHESIVES AND DOUBLE SIDED TAPES WORK WELL.

Tolerance (Except as noted)		 Memory Protection Devices, Inc 200 Broad Hollow Road, Farmingdale, New York 11735	
decimal	±.5 (.020)	Scale	2=1
Fractional	± .8 (.030)	Drawn By	T.S.
Angular	± 3°	Approved By	T.B.
Title		9 VOLT BATTERY HOLDER WITH PC PINS	
Date	05/05/17	Drawing Number	BH9VPC

TERMINALS	PC TERMINALS	NICKEL PLATED STEEL
WASHER	INSULATOR	RUBBER
HOLDER	HOLDER UL94V-0, FILE No. E56070 (S)	HIGH IMPACT ABS BLACK, UL940-0
CONTACTS	BRASS SNAPS	NICKEL PLATED BRASS
PART	DESCRIPTION	MATERIAL