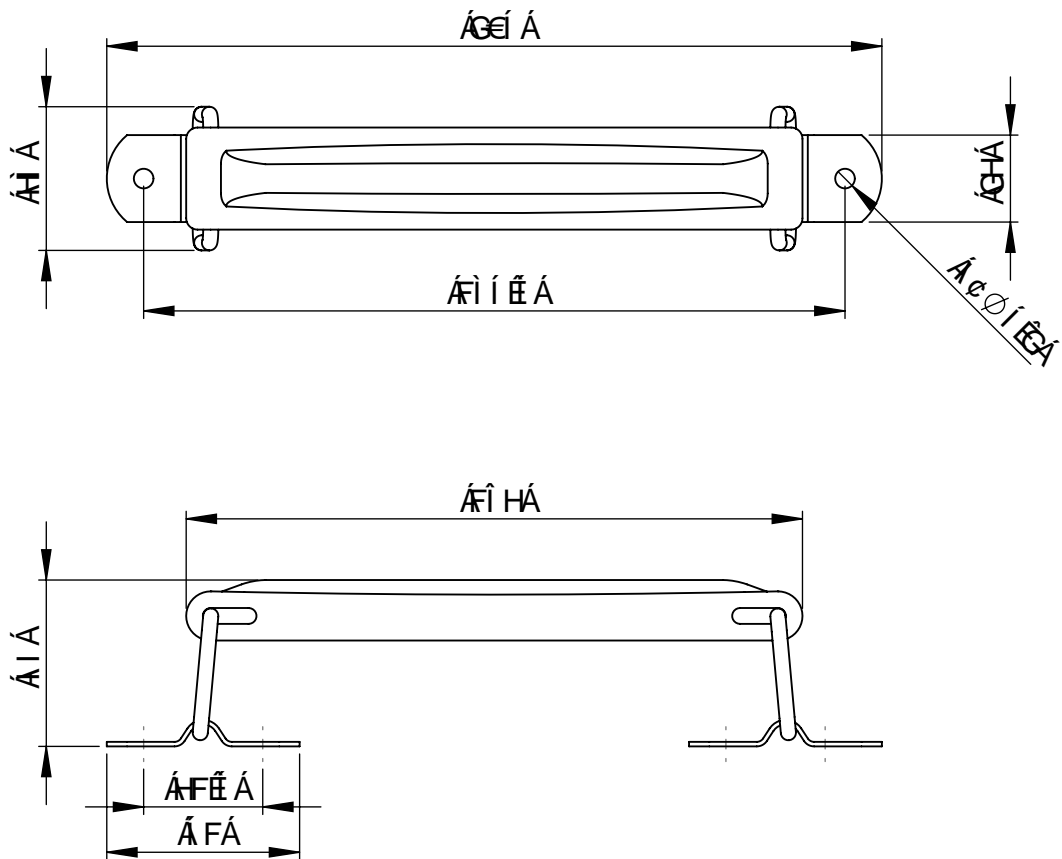


H97 < B € 7 < 9 N9 = 7 < B I B ;
 H97 < B = 7 5 @ 8 F 5 K B ; C B 9 G G B H97 < B € I 9 C B € I > C H97 < B = 7 C



' (% t



5XUa < U" ØVYfbja h_Y]bY; Yk Å\fcXYf<Uzi b[zØFX]Y'F]Mh[_Y]z; YbUi][_Y]hi bX'J'c"grAbX[[_Y]nX]YgYfNY]Mbi b["
 5XUa < U" UWWdhp bc fYgdcbg[V]]mcf"]UV]]mižf h_Y VčffYVibYggzUWWfUVhUbx Včea d'fYbYgg'czA]g]'i gffU]hcb"
 5XUa < U" b Uggi a Y'Ui W'bY [UfUbhY b] fYgdcbgUV]]Á ei Uoh¼U Včbzfa]rAz U d'fAV]g]cb Yh' Yi \Ui g]i]rA XY'W' gW'Áa U"
 5XUa < U" bc czYVW' [UfUbiU U' [i bU fYgdYVč U" U'YI UVM]i XzdfYV]g] b c]bY [f]XUX XY YgU]'i gffU]' b"

5XUa < U" ; a V< CBUja 'Ygff" - C'E %&* + BYi !5bgdUWV ; Yfa Ubm
 HY" fZ (- E* \$, % # - (% \$ CE UI . fZ (- E* \$, % # - (% %\$\$\$ C? ! a U] ; a U] 4 UXUa \U" Včea