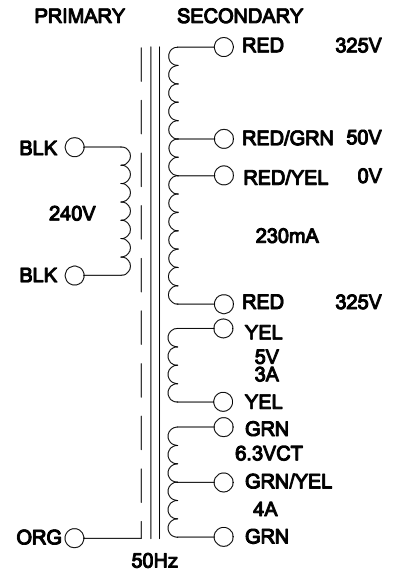
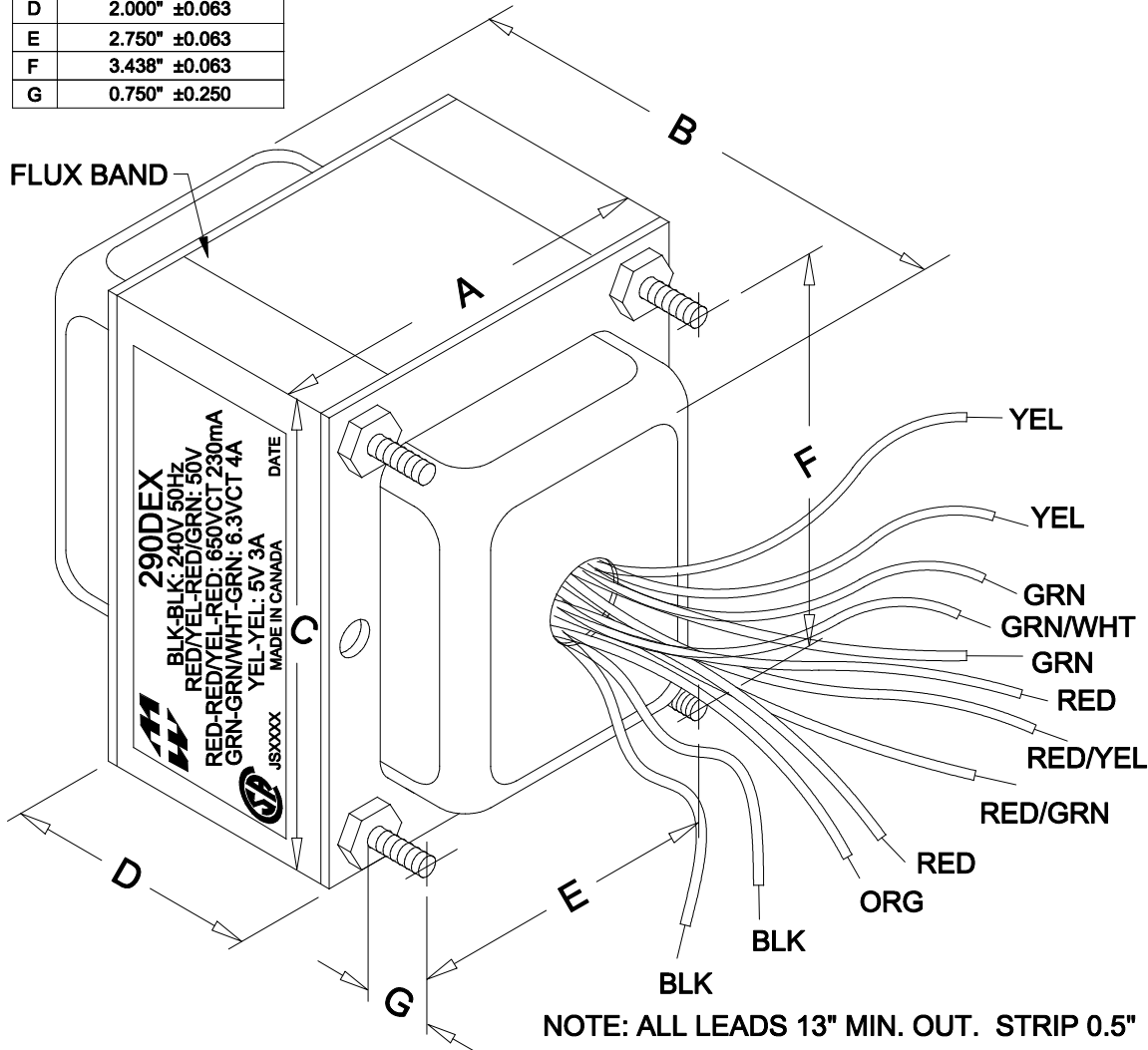


**DIMENSIONS:**

A	3.438 ±0.063
B	4.063" ±0.125
C	4.125" ±0.063
D	2.000" ±0.063
E	2.750" ±0.063
F	3.438" ±0.063
G	0.750" ±0.250



290DEX  
 BLK-BLK: 240V 50Hz  
 RED/YEL-RED/GRN: 50V  
 RED-RED/YEL-RED: 650VCT 230mA  
 GRN-GRN/WHT-GRN: 6.3VCT 4A  
 YEL-YEL: 5V 3A  
 MADE IN CANADA  
 JSXXXX  
 DATE

NOTE: ALL LEADS 13" MIN. OUT. STRIP 0.5"

**ELECTRICAL DATA:**

TESTS	CONDITIONS	ACCEPTANCE CRITERIA	
lex	@ 240V, 50Hz, BLK - BLK	190mA	Max.
Sec. N.L.V	@ 240V, 50Hz, BLK - BLK		
	RED/GRN - RED/YEL =	52.80V	±2%
	RED - RED/YEL = RED/YEL - RED =	354.7V	±2%
	RED - RED =	709.4V	±2%
	YEL - YEL =	5.280V	±2%
	GRN - GRN/WHT = GRN/WHT - GRN =	3.360V	±2%
	GRN - GRN =	6.720V	±2%
DCR	@ 20°C, BLK - BLK =	5.059 Ω	±20%
	@ 20°C, RED - RED =	74.40 Ω	±20%
	@ 20°C, YEL - YEL =	0.111 Ω	±20%
	@ 20°C, GRN - GRN =	0.058 Ω	±20%
HIPOT	PRIMARY - SECONDARY	2500V, 60Hz, 1 SEC	

REV.#	REVISION	DATE
0	RELEASED.	C.I. 05/13/19

**HAMMOND ELECTRONIC DIVISION**  
**MANUFACTURING**™  
 52 RANKIN PLACE,  
 WATERLOO, ONTARIO, N2J 3Z5  
 PH # (519) 886-6181  
 FAX # (519) 886-9540

DWG. BY: C. ILIE	CHK'D BY:	TITLE: POWER TRANSFORMER	DWG. NO. 290DEX
DATE: 05/13/19	APP'D. BY:		
	DIMENSIONS: IN(X) MM( )		