

1750EP

TUBE GUITAR AMPLIFIER - OUTPUT TRANSFORMER

- Designed for drop in replacement of original units.
- Constructed to look similar to original factory units (where possible).
- Material used & design specifications were kept as close as possible to the original part to preserve the stock "tone".
- Paper-wound for signature tonal characteristic
- Open style with minimum 9" long primary and secondary leads
- Frequency response 70Hz - 15KHz
(±1.0dB reference @ 1KHz, 27dBu)
- Distortion within ±1% across operating frequency range

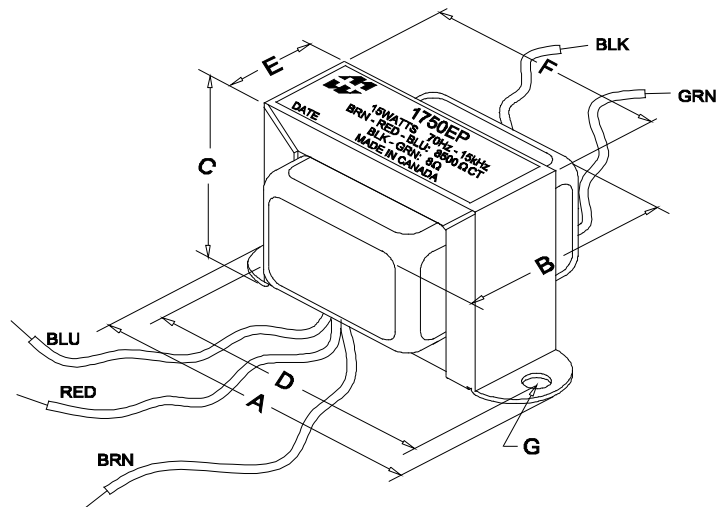
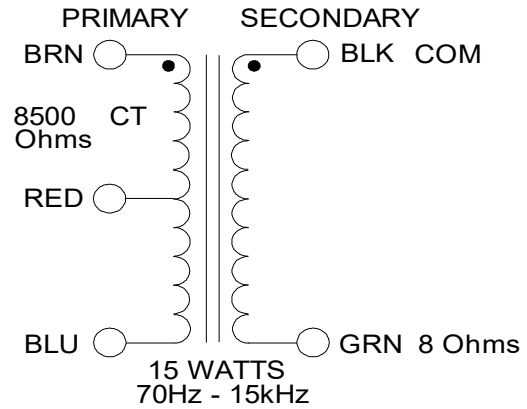
ELECTRICAL SPECIFICATIONS

Characteristics		Typical	
Input Impedance		8500 Ohms	
Output Impedance		8 Ohms	
Output Power		15W	
DCR			
Primary Red-Brown		181.6 Ohms	
Primary Red-Blue		239.2 Ohms	
Secondary Black-Green		0.549 Ohm	
Inductance	Impedance	@ 1.0 kHz, 1.0 V OC	
Primary Blue-Brown	36.0H	240K Ohm	
Secondary Black-Green	31mH	545 Ohm	
Leakage Inductance		@ 1.0 kHz, 1.0 V SC	
Primary Blue-Brown		32.46mH	
Dielectric Strength		1500VRMS	
Temperature Range		up to 105 degC	

TEST CONDITIONS

Measurement instruments:
 D scope series iii audio analyzer Keithley 2010 DVM
 Wayne Kerr 3255B with a 3265B Hp4192a impedance analyzer

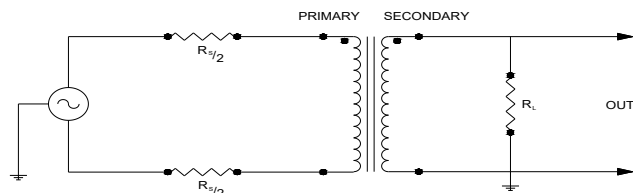
* All graphs input level 27dBu @1.0KHz reference.
 **The results are typical and are subject to normal manufacturing and electrical tolerances.



Dimensions

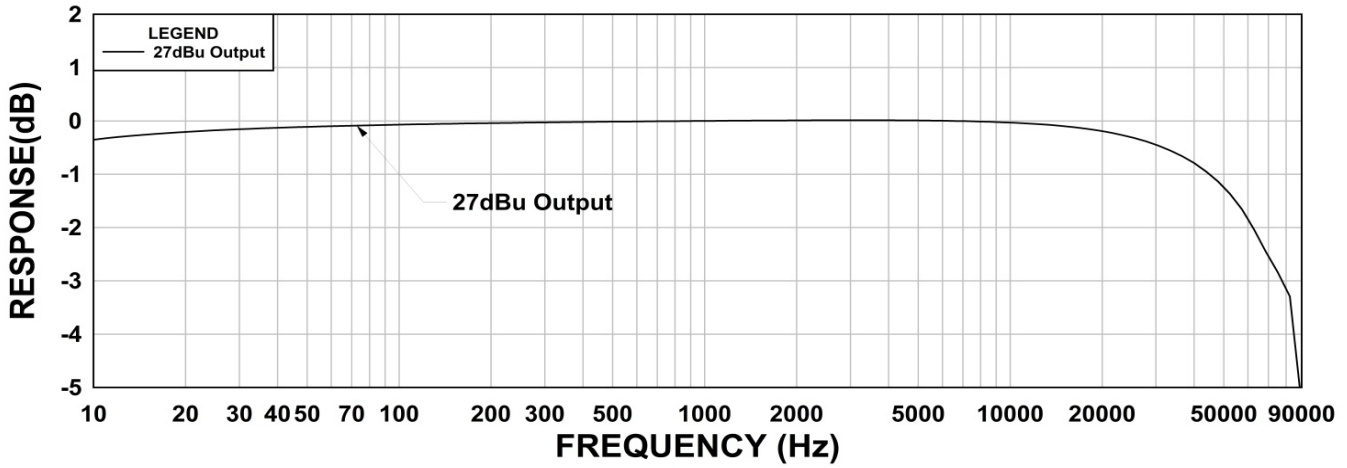
A	3.250" ±0.063	D	2.813" ±0.063	G	0.187" ±0.015
B	2.085" ±0.125	E	0.826" ±0.063		
C	1.995" ±0.063	F	2.325" ±0.063		

TYPICAL TEST CIRCUIT



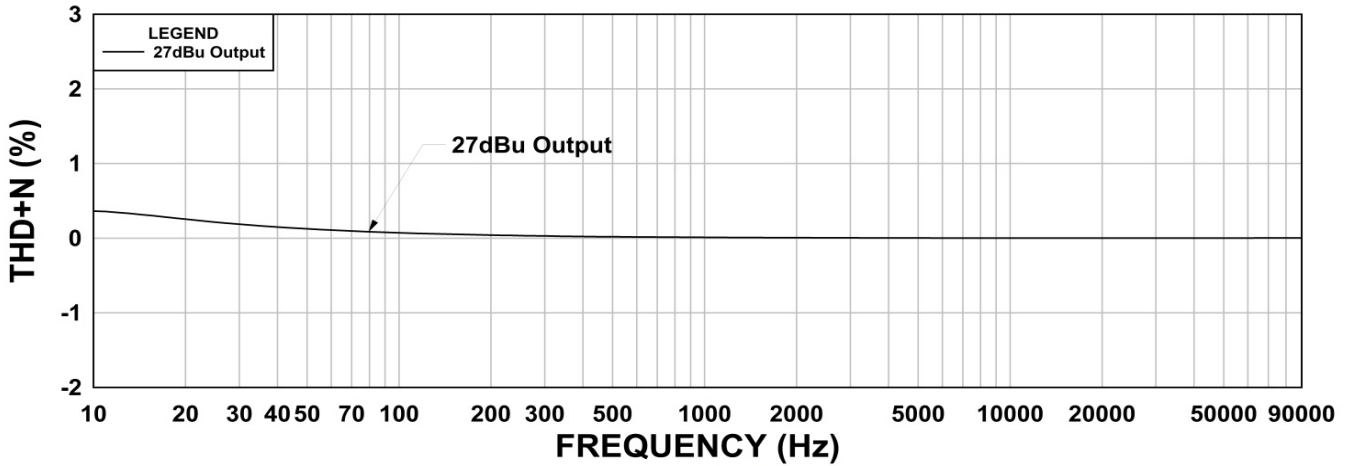
1750EP Frequency Response

RS = 8.5K Ohm RL = 8 Ohm @1KHz Reference



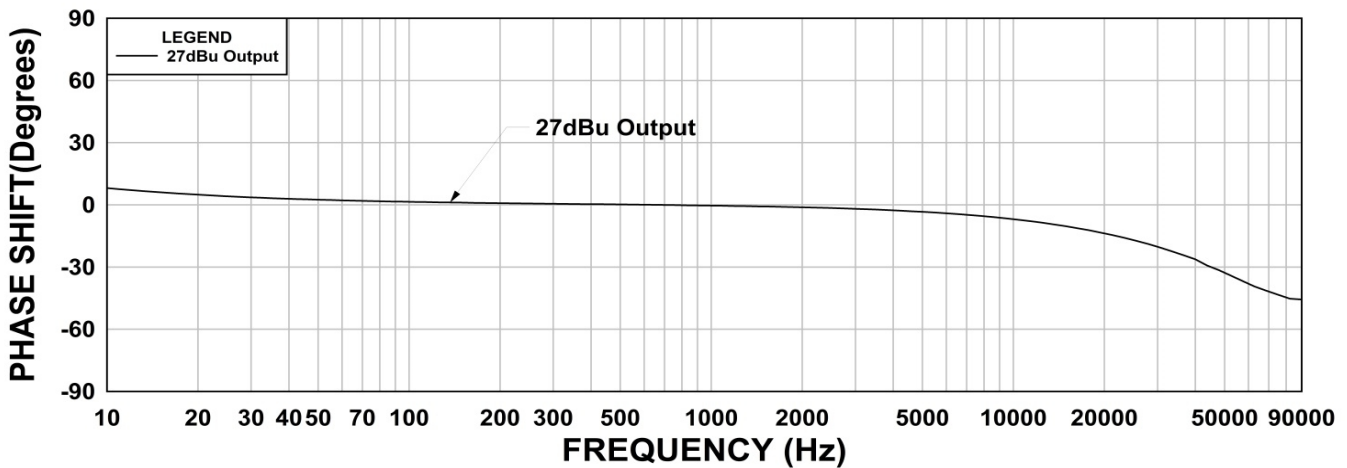
1750EP THD+N

RS = 8.5K Ohm RL = 8 Ohm @1KHz Reference



1750EP Phase Shift

RS = 8.5K Ohm RL = 8 Ohm @1KHz Reference



This drawing and the information in it is the property of Hammond Manufacturing. It may not be reproduced, transmitted or used in any manner whatsoever without the written permission of Hammond Manufacturing. Data subject to change without notice.