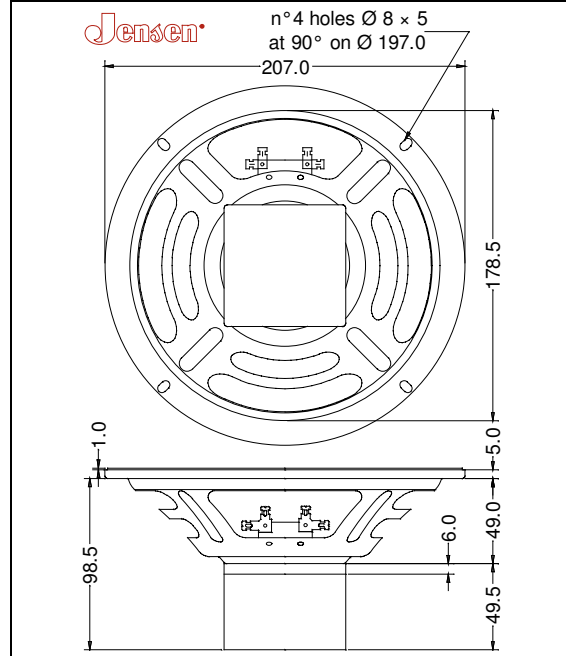


GENERAL CHARACTERISTICS		
Nominal Overall Diameter	207 mm.	8 in.
Nominal Voice Coil Diameter	25 mm.	1.00 in.
Magnet Weight	200 g	7.00 oz
Overall Weight		2.65 lbs
Flux Density		0.96 T

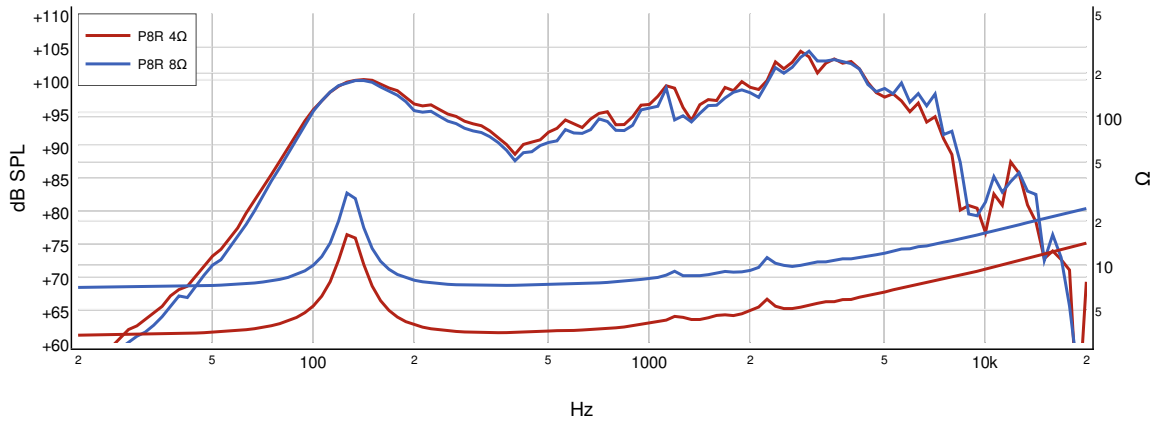
THIELE-SMALL PARAMETERS			
		4Ω	8Ω
Voice Coil DC Resistance	R_E	3.00	6.70 Ω
Resonance Frequency	f_S	129.0	130.0 Hz
Mechanical Q Factor	Q_{MS}	8.67	9.18
Electrical Q Factor	Q_{ES}	1.72	2.30
Total Q Factor	Q_{TS}	1.43	1.84
Mechanical Moving Mass	M_{MS}	9.3	9.3 g
Mechanical Compliance	C_{MS}	164	161 μm/N
Force Factor	B_{XL}	3.72	4.72 Wb/m
Equivalent Acoustic Volume	V_{AS}	10.5	10.3 lt.
Maximum Linear Displacement	X_{MAX}	± 1.00	± 1.00 mm
Reference Efficiency	η_O	1.27	0.95 %
Diaphragm Area	S_D	213.8	213.8 cm ²
Losses Electrical Resistance	R_{ES}	16.0	27.0 Ω
Voice Coil Inductance @ 1kHz	L_E	0.21	0.36 mH

CONSTRUCTIVE CHARACTERISTICS	
Magnet	Alnico
Voice Coil Winding	Copper
Voice Coil Former	Epotex
Cone Material	Paper
Surround Material	Integrated Paper
Dust Dome Material	Treated Cloth
Basket Material	Pressed Sheet Steel

ELECTRICAL CHARACTERISTICS			
		4Ω	8Ω
Nominal Impedance		4	8 Ω
Rated Power		25	25 W
Musical Power		50	50 W
Sensitivity@1W,1m		94.1	92.5 dB



Frequency Response on IEC Baffle (DIN 45575) @ 1W, 1m - Free Air Impedance



Due to continuing product improvement, the features and the design are subject to change without notice.