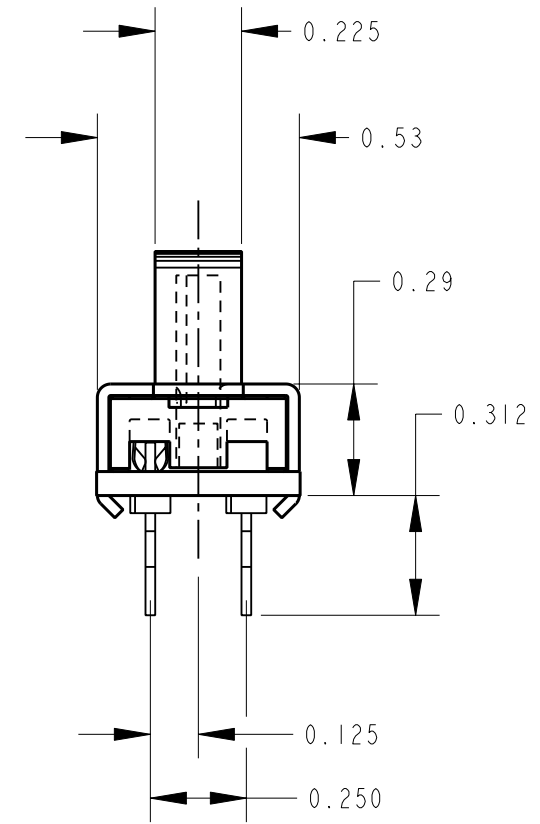
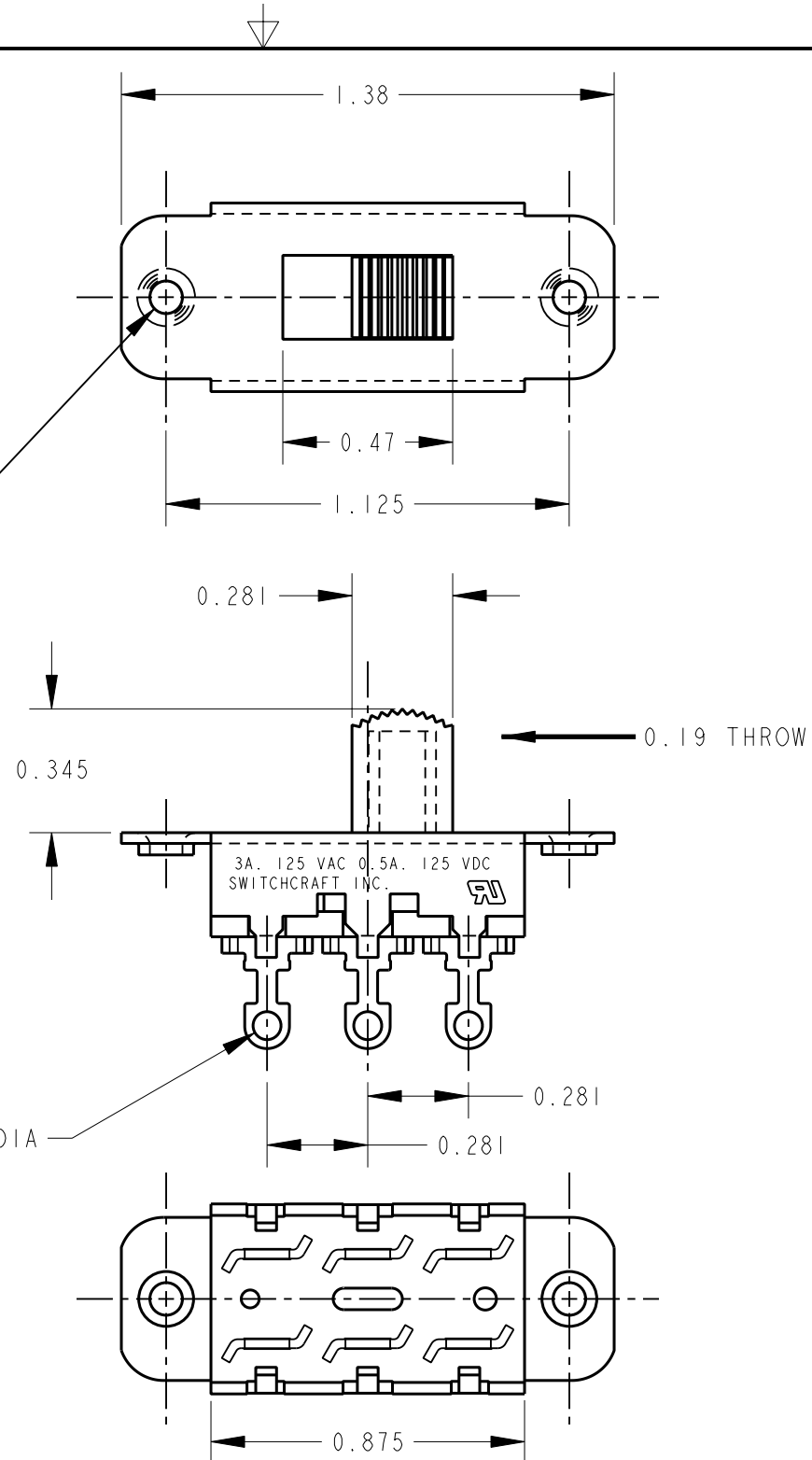


SCHEMATIC

DOUBLE POLE - DOUBLE THROW

#4-40 MOUNTING HOLES



CUSTOMER DRAWING

NOTES:

1. ALL DIMENSIONS ARE REFERNECE.
2. MATERIALS:  
 HOUSING - CRS, NICKEL PLATED  
 TERMINALS - BRASS, SILVER PLATED  
 CONTACTORS - BRASS, SILVER PLATED  
 TERMINAL BOARD - PHENOLIC  
 BUTTON - NYLON

| REV       | ECO NUMBER | DATE     | BY  | APVD |
|-----------|------------|----------|-----|------|
| A         | 26052      | 12-26-07 | TJK | TJK  |
| REVISIONS |            |          |     |      |

★ STAR SYMBOL DENOTES CRITICAL DIMENSION

UNLESS OTHERWISE SPECIFIED

1. ALL DIMENSIONS IN INCHES  
 - TWO PLACE DECIMALS ±0.01  
 - THREE PLACE DECIMALS ±0.005  
 - ANGLES ±1°  
 - ALL DIA. CONCENTRIC WITHIN 0.005 T.I.R.
2. FEATURES ON THE SAME CENTERLINE MUST BE ALIGNED WITHIN ±0.002
3. REMOVE ALL BURRS

DO NOT SCALE DRAWING

|  |       |          |          |        |
|--|-------|----------|----------|--------|
| THIS DRAWING DESCRIBES A DESIGN CONSIDERED PROPRIETARY IN NATURE, DEVELOPED AND MANUFACTURED BY SWITCHCRAFT INC. AND IS RELEASED ON A CONFIDENTIAL BASIS FOR IDENTIFICATION PURPOSES ONLY. |       |          |          |        |
| SIZE   | WIDTH | MULT     | LBS/M    | TEMPER |
| FINISH   |       | MATERIAL |          |        |
| SPEC No.   |       | SPEC No. |          |        |
| FIRST USED ON  |       | SCALE    |          |        |
|  |       | 2 : 1    |          |        |
| DATE DRAWN   | BY    | CHKD     | APVD     |        |
| 26-Dec-07  | TJK   | TJK      | TJK      |        |
|  |       | 12-26-07 | 12-26-07 |        |
| NAME   |       | PART No. |          | REV    |
| SLIDE SWITCH, RoHS   |       | 11A1255X |          | A      |

