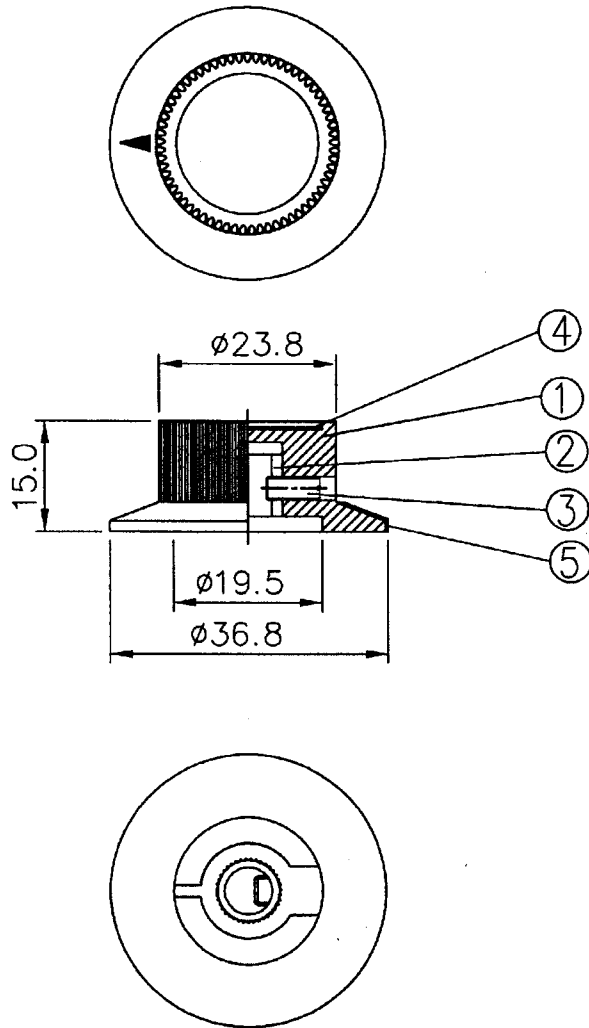


Date	Name	Descriptions	No
			△



原稿

D:\Project\■■■\RN

5	Packing sheet	1	Aluminum		
4	Plaque	1	Aluminum		
3	Headlsee set screw	1	Copper alloy		
2	Insert copper knob	1	Copper alloy	Ni-plating	
1	Knob	1	PF		
No	Descriptions	Q'ty	Specification	Finish	Remark
Drawing	Check	Approval	SCI No.	1420106	Model Name CONTROL KNOB
徐洲迎	<i>[Signature]</i>	<i>[Signature]</i>	Customer No.		Model No. RN-114B
8/19/'06	8/21-'06	8/21-'06	Unit	mm	SHIN CHIN INDUSTRIAL CO., LTD.