

# 1750U

## TUBE GUITAR AMPLIFIER - OUTPUT TRANSFORMER

- Designed for drop in replacement of original units such as Marshall<sup>1</sup> JMP, JCM 800 (P-TM0100)
- Constructed to look similar to original factory units (where possible).
- Material used & design specifications were kept as close as possible to the original part to preserve the stock "tone".
- Open style with minimum 11" long primary and secondary leads
- Frequency response 50Hz - 12KHz (0/-1dB reference @ 1KHz)
- Distortion is less than 1% @ 70Hz

### ELECTRICAL SPECIFICATIONS

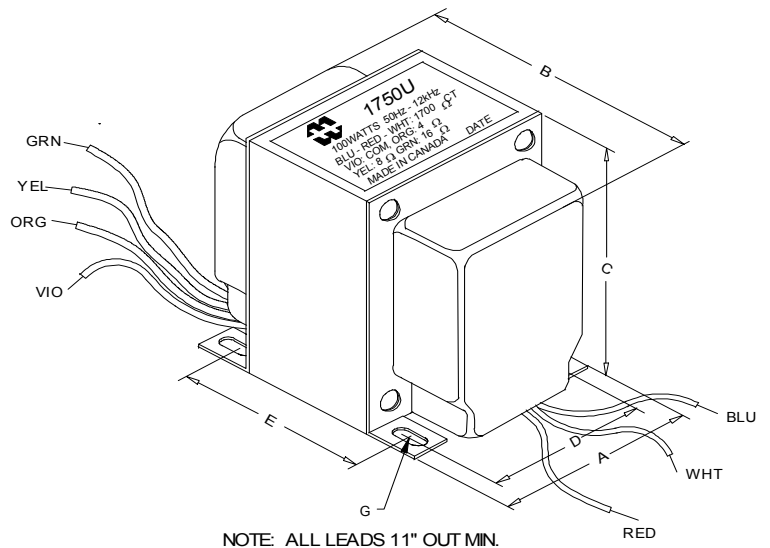
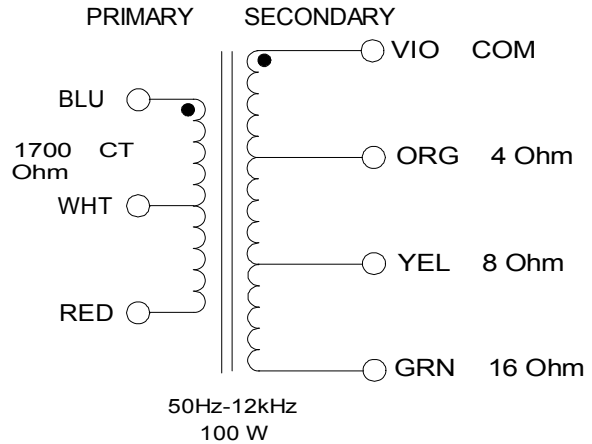
Characteristics	Typical
Input Impedance	1700 Ohms
Output Impedance	4, 8 & 16 Ohms
Output Power	100 W
<b>DCR</b>	
Primary Blue-White	15.36 Ohms
Primary White-Red	16.56 Ohms
Secondary Violet-Green	0.320 Ohm
<b>Inductance   Impedance @ 1.0 kHz, 1.0 V OC</b>	
Primary Blue-Red	8.85H   61.5K Ohm
Secondary Violet-Orange	22.59mH   212.60 Ohm
Secondary Violet-Yellow	47.54mH   424.80 Ohm
Secondary Violet-Green	88.86mH   757.20 Ohm
<b>Leakage Inductance @ 1.0 kHz, 1.0 V SC</b>	
Primary Blue-Red	7.97 mH
<b>Dielectric Strength 2160VRMS</b>	
<b>Temperature Range -40 to 105 degC</b>	

### TEST CONDITIONS

Measurement instruments:  
 D scope series iii audio analyzer      Keithley 2010 DVM  
 Wayne Kerr 3255B with a 3265B      Hp4192a impedance analyzer

\* All graphs input level 27dBu @1.0KHz reference.

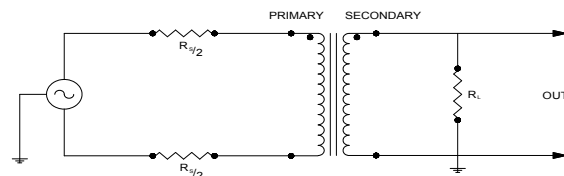
\*\*The results are typical and are subject to normal manufacturing and electrical tolerances.



### Dimensions

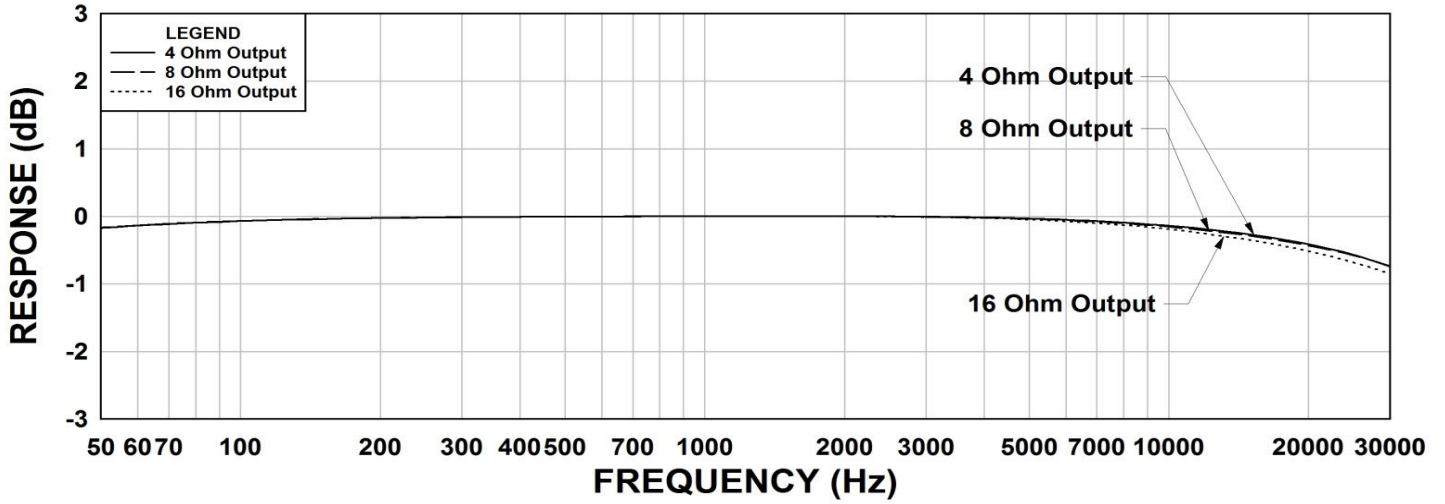
A	3.750" ±0.063	C	4.600" MAX	E	2.813" ±0.063
B	3.936" ±0.125	D	3.280" ±0.063	G	0.203 X 0.375" ±0.015

### TYPICAL TEST CIRCUIT

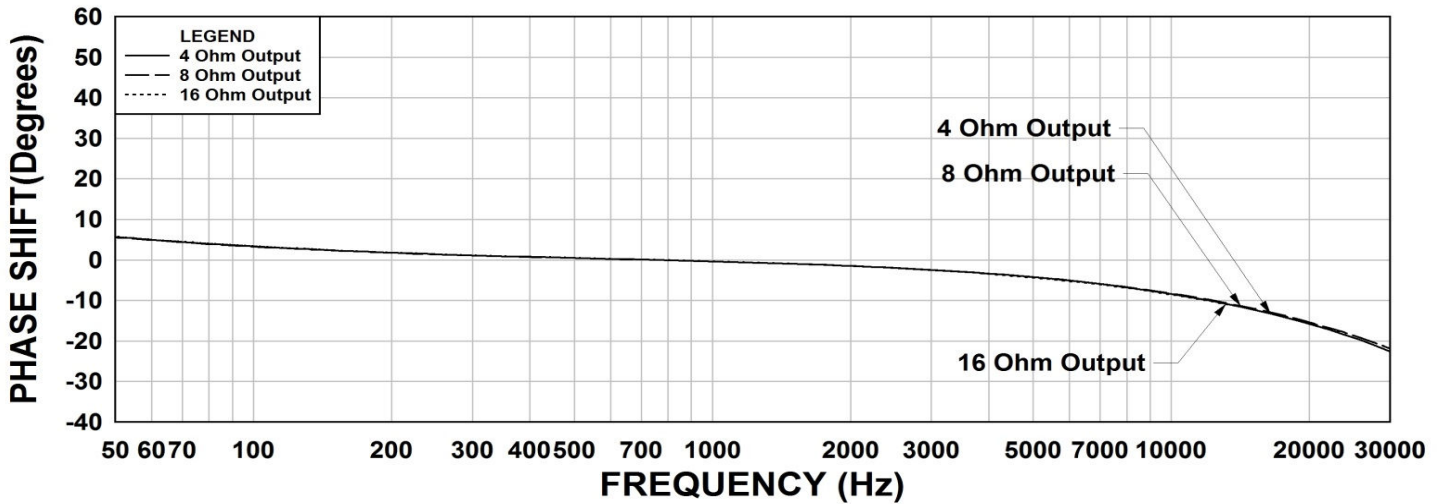


<sup>1</sup>DISCLAIMER: Hammond Mfg. is not affiliated with Fender Musical Instruments Corp., Marshall Amplification, Yorkville/Traynor, AMPEG or VOX Amplification companies. Amplifier model names are trademarks of the amplifier companies and are just listed here for reference purpose only.

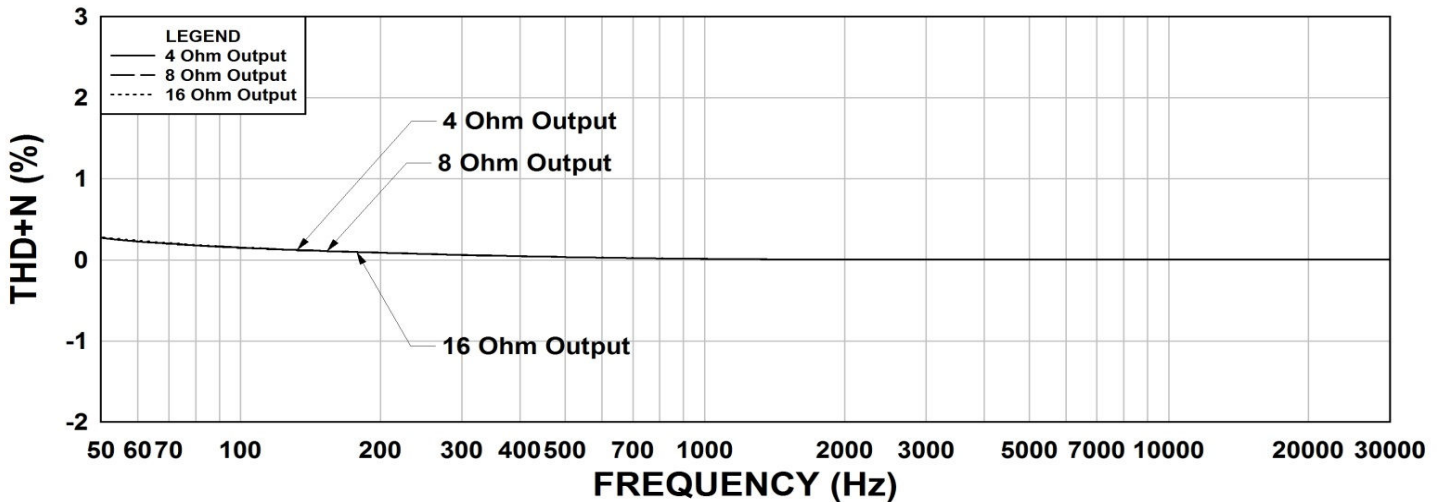
### 1750U Frequency Response RL = 1700 Ohms



### 1750U Phase Shift RL = 1700 Ohms



### 1750U THD+N RL = 1700 Ohms



This drawing and the information in it is the property of Hammond Manufacturing. It may not be reproduced, transmitted or used in any manner whatsoever without the written permission of Hammond Manufacturing. Data subject to change without notice.