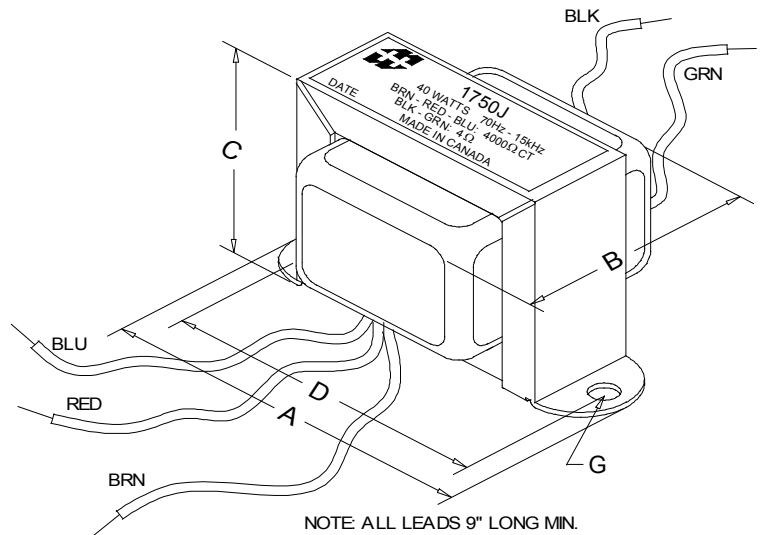
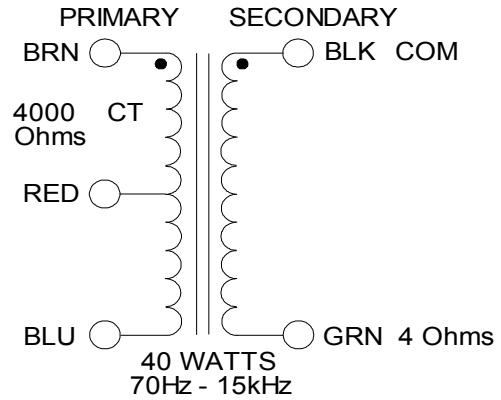


1750J

TUBE GUITAR AMPLIFIER - OUTPUT TRANSFORMER

- Designed for drop in replacement of original units.
- Constructed to look similar to original factory units (where possible).
- Material used & design specifications were kept as close as possible to the original part to preserve the stock "tone".
- Open style with minimum 9" long primary and secondary leads
- Frequency response 70Hz - 15KHz (0/-1.5dB reference @ 1KHz)
- Distortion is less than 3% @ 70Hz

ELECTRICAL SPECIFICATIONS	
Characteristics	Typical
Input Impedance	4000 Ohms
Output Impedance	4 Ohms
Output Power	40W
DCR	
Primary Brown-Blue	185.0 Ohms
Secondary Black-Green	0.400 Ohm
Inductance	Impedance
@ 1.0 kHz, 1.0 V OC	
Primary Blue-Brown	19.8H 120K Ohm
Leakage Inductance	
@ 1.0 kHz, 1.0 V SC	
Primary Blue-Brown	227.3mH
Dielectric Strength	1500VRMS
Temperature Range	-40 to 105 degC



Dimensions	
A	4.000" ±0.063
B	2.800" REF
C	2.63" MAX
D	3.560" ±0.063
G	0.187" ±0.015

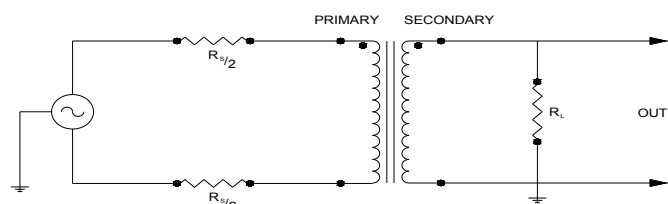
TEST CONDITIONS

Measurement instruments:
 D scope series iii audio analyzer Keithley 2010 DVM
 Wayne Kerr 3255B with a 3265B Hp4192a impedance analyzer

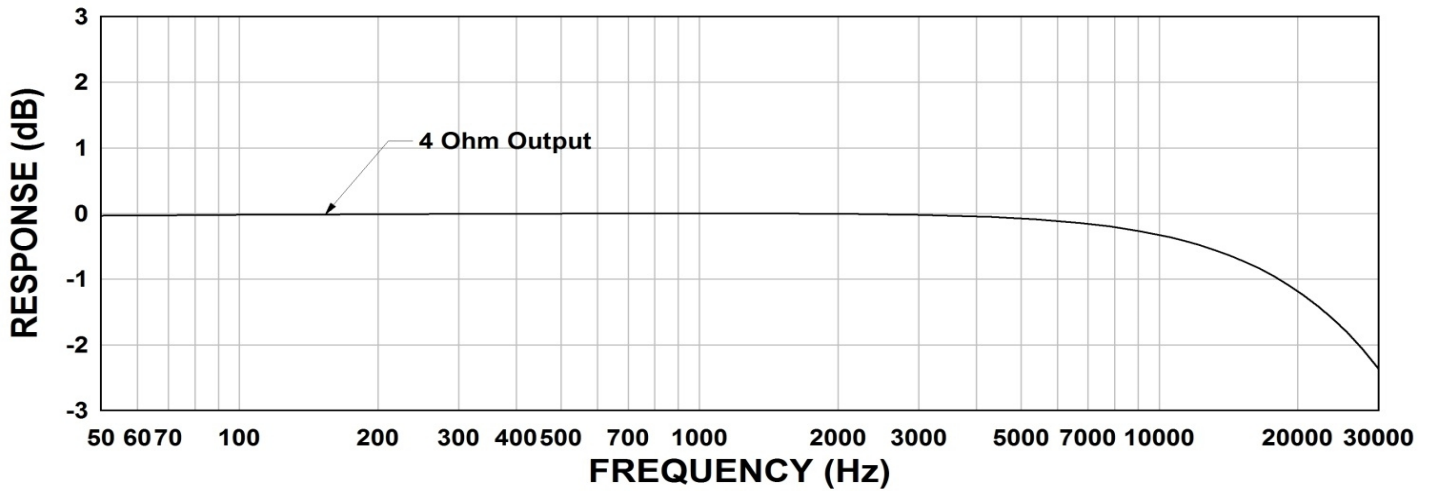
* All graphs input level 27dBu @1.0KHz reference.

**The results are typical and are subject to normal manufacturing and electrical tolerances.

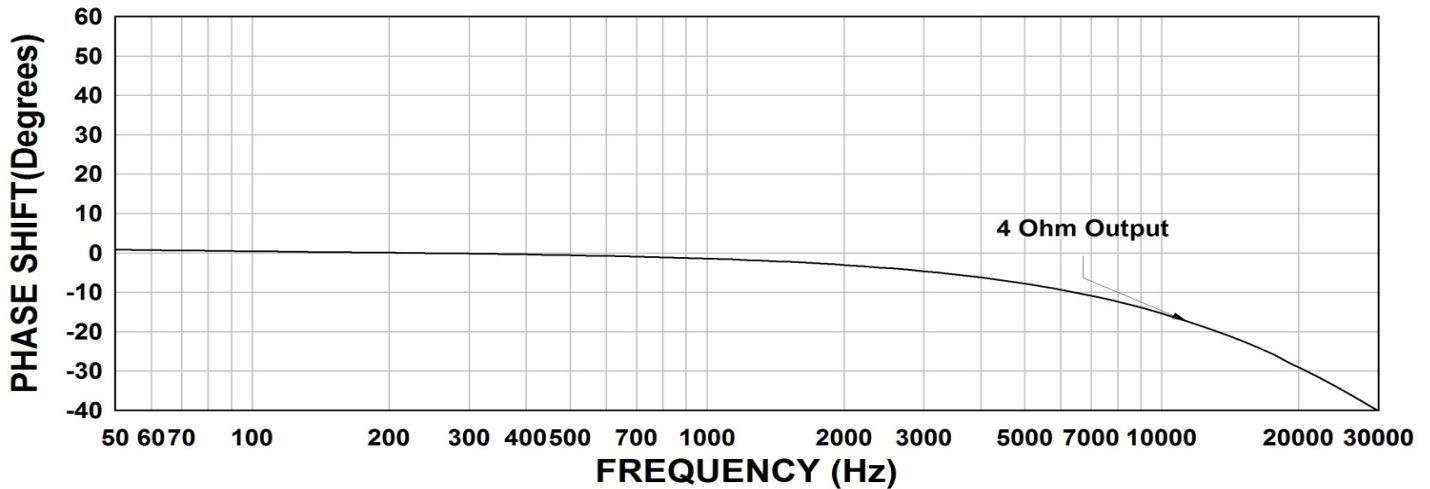
TYPICAL TEST CIRCUIT



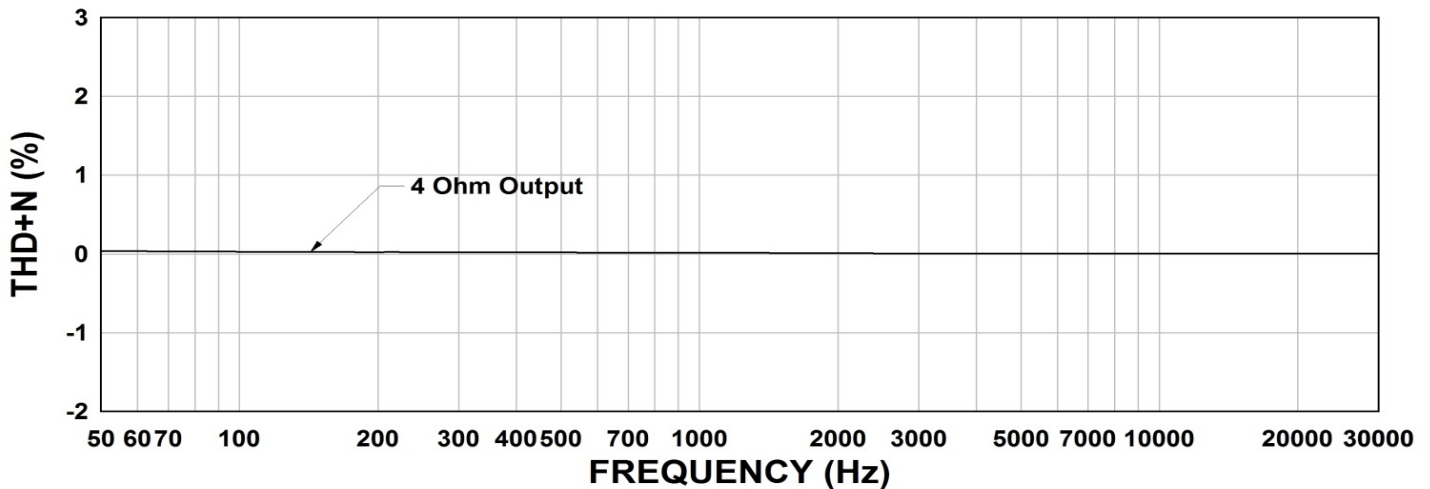
1750J Frequency Response RS = 4K Ohms RL = 4 Ohms



1750J Phase Shift RS = 4K Ohms RL = 4 Ohms



1750J THD+N RS = 4K Ohms RL = 4 Ohms



This drawing and the information in it is the property of Hammond Manufacturing. It may not be reproduced, transmitted or used in any manner whatsoever without the written permission of Hammond Manufacturing. Data subject to change without notice.