

SR26 SERIES

ROTARY SWITCH UP TO 0.3A/ 125V
Optional actuator, 1~12 positions



Electrical Rating

- Load Rating: 125VAC 0.3A; DC30V/1A
- Contact Resistance: $\leq 25\text{m}\Omega$ Initial
 $\leq 50\text{m}\Omega$ after 10000 cycles
- Insulation Resistance: DC 500V 100M Ω MIN.
- Dielectric Strength: AC 500V 1 minute.
- Timing: Shorting or Non-shorting

Environmental

- Temperature: $-10^{\circ}\text{C} \sim +60^{\circ}\text{C}$
- Humidity: RH 30%~90%

Mechanical Characteristics

- Operation force: 600 g \pm 300 g
- Soldering: 300 $^{\circ}\text{C}$ 3 sec.
- Life: 10,000 cycles.

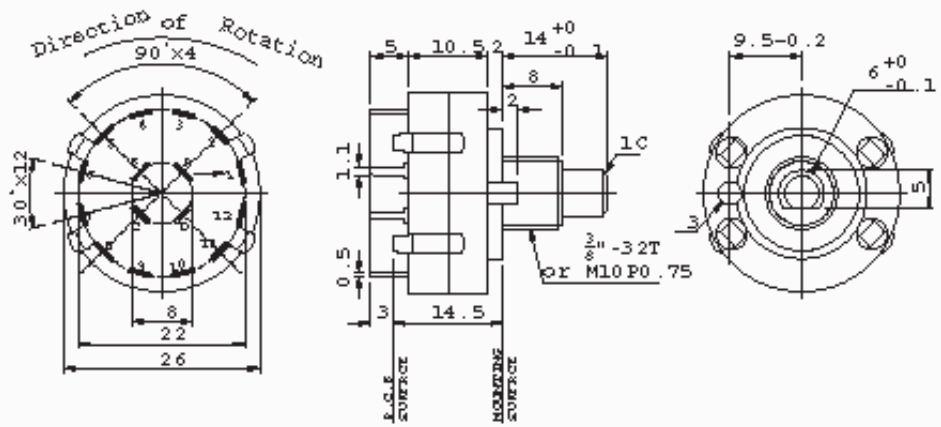
Remark : There are silicon grease in the contactors, Super-sonic cleaning are prohibited.

How to Order:

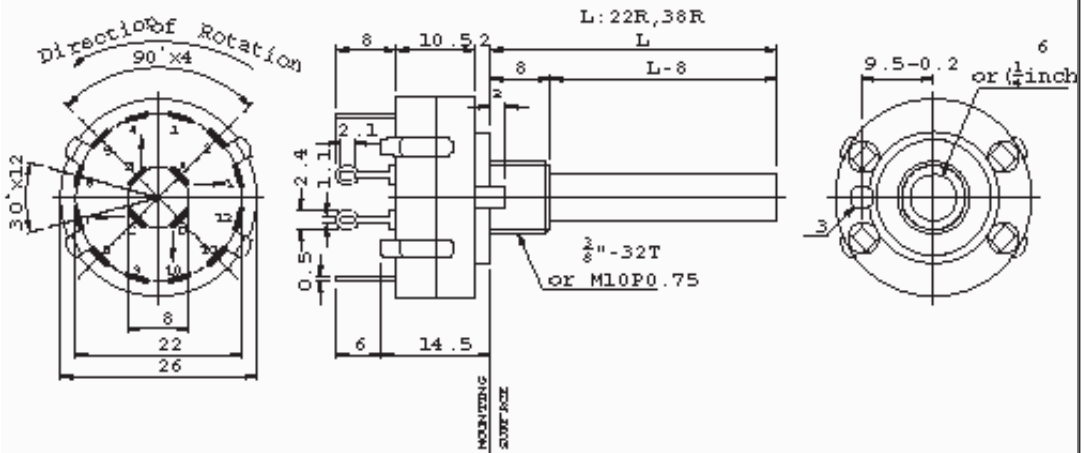
SR26	—	NS	—	1	—	1	—	12	P	NS
SERIES SYMBOL	POSITION ANGLE	TIMING	DECK	POLE	POSITION	TERMINAL	ROTATION			
	30° (STD.) B 60° (6 POLES max.)	SHORTING NS NON SHORTING	1	1 2 3 4	2-12	SOLDER TERMINAL P PC TERMINAL	WITH STOP NS NONE STOP			
(M10) 22 F - D6.35										
SCREW	ACTUATOR HEIGHT	ACTUATOR TYPE	ACTUATOR DIA							
3/8" -32 M10 M10 P0.75	18 (mm) 22 (mm) 38 (mm) * 14 (mm) (only $\varnothing 8^*5\text{mm}$ actuator dia.)	F FLAT R ROUND (22R,38R only)	$\varnothing 6^*4.5\text{ mm}$ $\varnothing 6.35^*5\text{ mm}$	Ex. SR26-NS-1-1-12(M10)38R-D6.35						



**SR26NS-1-2-6P-
M10-14F**



**SR26NS-1-4-3-
38R**



**SR26NS-1-3-4-
18F**

