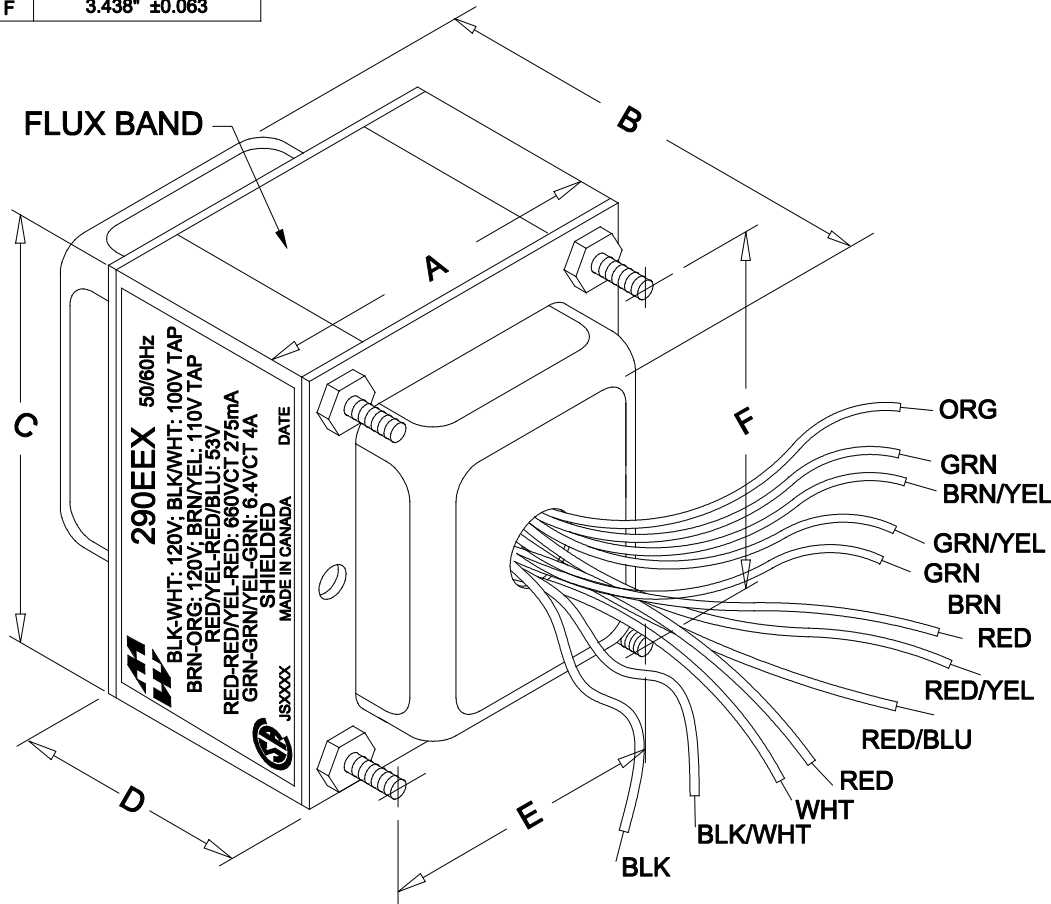
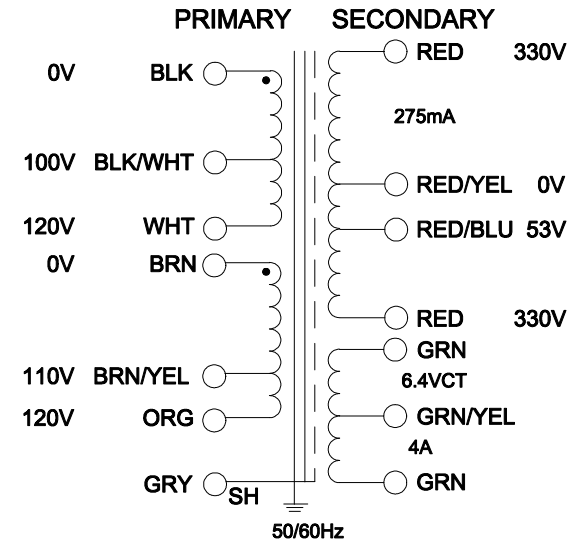


DIMENSIONS:	
A	3.438" ±0.063
B	4.188" ±0.125
C	4.125" ±0.063
D	2.060" ±0.063
E	2.750" ±0.063
F	3.438" ±0.063



NOTE: ALL LEADS 11" OUT MIN., STRIPPED .5"



**ELECTRICAL DATA:**

TESTS	CONDITIONS	ACCEPTANCE CRITERIA	
Iex	@ 120V, 60Hz, BLK - WHT	400mA	Max.
Sec. N.L.V	@ 120V, 60Hz, BLK - WHT		
	BLK - BLK/WHT =	100.3V	±2%
	BRN - ORG =	120.0V	±2%
	BRN - BRN/YEL =	110.4V	±2%
	RED - RED =	691.8V	±2%
	RED - RED/YEL = RED/YEL - RED =	345.9V	±2%
	RED/YEL - RED/BLU =	55.77V	±2%
	GRN - GRN/YEL = GRN/YEL - GRN =	3.380V	±2%
	GRN - GRN =	6.761V	±2%
DCR	@ 20°C, BLK - BLK/WHT =	2.241 Ω	±20%
	@ 20°C, BLK - WHT =	2.704 Ω	±20%
	@ 20°C, BRN - BRN/YEL =	2.732 Ω	±20%
	@ 20°C, BRN - ORG =	2.977 Ω	±20%
	@ 20°C, RED - RED/YEL =	24.04 Ω	±20%
	@ 20°C, RED/YEL - RED =	25.59 Ω	±20%
	@ 20°C, RED/YEL - RED/BLU =	4.011 Ω	±20%
	@ 20°C, GRN - GRN =	0.071 Ω	±20%
HIPOT	PRIMARY - SECONDARY	2500V, 60Hz, 1 SEC	

REV.#	REVISION	DATE
0	RELEASED.	C.I. 08/30/18



**ELECTRONIC DIVISION**

52 RANKIN PLACE,  
 WATERLOO, ONTARIO, N2J 3Z5

PH # (519) 886-6181  
 FAX # (519) 886-9540

DWG. BY: C. ILIE	CHK'D BY:
DATE: 08/30/18	APP'D. BY:
DIMENSIONS: IN(X) MM( )	

TITLE: POWER TRANSFORMER
--------------------------

DWG. NO. 290EEX
-----------------