

## FEATURES

- Two Precision Timing Circuits Per Package
- Astable or Monostable Operation
- TTL-Compatible Output Can Sink or Source up to 150 mA
- Active Pullup or Pulldown
- Designed to Be Interchangeable With Signetics NE556, SA556, and SE556

## APPLICATIONS

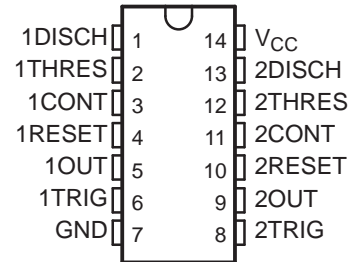
- Precision Timers From Microseconds to Hours
- Pulse-Shaping Circuits
- Missing-Pulse Detectors
- Tone-Burst Generators
- Pulse-Width Modulators
- Pulse-Position Modulators
- Sequential Timers
- Pulse Generators
- Frequency Dividers
- Application Timers
- Industrial Controls
- Touch-Tone Encoders

## DESCRIPTION/ORDERING INFORMATION

These devices provide two independent timing circuits of the NA555, NE555, SA555, or SE555 type in each package. These circuits can be operated in the astable or the monostable mode with external resistor-capacitor (RC) timing control. The basic timing provided by the RC time constant can be controlled actively by modulating the bias of the control-voltage input.

The threshold (THRES) and trigger (TRIG) levels normally are two-thirds and one-third, respectively, of  $V_{CC}$ . These levels can be altered by using the control voltage (CONT) terminal. When the trigger input falls below trigger level, the flip-flop is set and the output goes high. If the trigger input is above the trigger level and the threshold input is above the threshold level, the flip-flop is reset, and the output is low. The reset (RESET) input can override all other inputs and can be used to initiate a new timing cycle. When RESET goes low, the flip-flop is reset and the output goes low. When the output is low, a low-impedance path is provided between the discharge (DISCH) terminal and ground (GND).

NA556...D OR N PACKAGE  
NE556...D, N, OR NS PACKAGE  
SA556...D OR N PACKAGE  
SE556...J PACKAGE  
(TOP VIEW)



Please be aware that an important notice concerning availability, standard warranty, and use in critical applications of Texas Instruments semiconductor products and disclaimers thereto appears at the end of this data sheet.

**ORDERING INFORMATION**

| $T_A$          | $V_T$ (MAX)<br>$V_{CC} = 15\text{ V}$ | PACKAGE <sup>(1)</sup> |              | ORDERABLE PART NUMBER | TOP-SIDE MARKING |
|----------------|---------------------------------------|------------------------|--------------|-----------------------|------------------|
| 0°C to 70°C    | 11.2 V                                | PDIP – N               | Tube of 25   | NE556N                | NE556N           |
|                |                                       | SOIC – D               | Tube of 50   | NE556D                | NE556            |
|                |                                       |                        | Reel of 2500 | NE556DR               |                  |
|                |                                       | SOP – NS               | Reel of 2000 | NE556NSR              | NE556            |
| –40°C to 85°C  | 11.2 V                                | PDIP – N               | Tube of 25   | SA556N                | SA556N           |
| –40°C to 105°C | 11.2 V                                | PDIP – N               | Tube of 25   | NA556N                | NA556N           |
|                |                                       | SOIC – D               | Tube of 50   | NA556D                | NA556            |
|                |                                       |                        | Reel of 2500 | NA556DR               |                  |
| –55°C to 125°C | 10.6 V                                | CDIP – J               | Tube of 25   | SE556J                | SE556J           |
|                |                                       |                        |              | SE556JB               | SE556JB          |

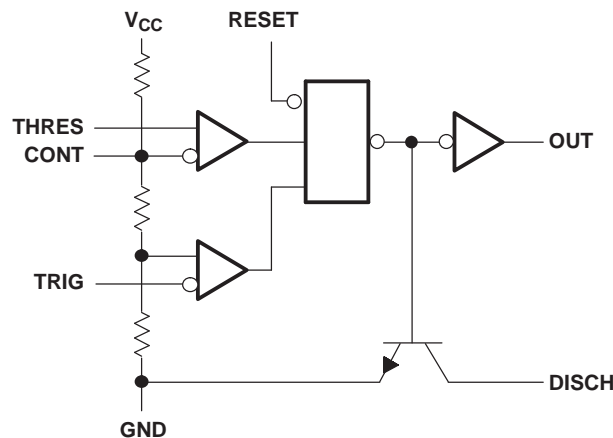
(1) Package drawings, standard packing quantities, thermal data, symbolization, and PCB design guidelines are available at [www.ti.com/sc/package](http://www.ti.com/sc/package).

**FUNCTION TABLE**  
 (each timer)

| RESET | TRIGGER VOLTAGE <sup>(1)</sup> | THRESHOLD VOLTAGE <sup>(1)</sup> | OUTPUT                    | DISCHARGE SWITCH |
|-------|--------------------------------|----------------------------------|---------------------------|------------------|
| Low   | Irrelevant                     | Irrelevant                       | Low                       | On               |
| High  | <1/3 $V_{DD}$                  | Irrelevant                       | High                      | Off              |
| High  | >1/3 $V_{DD}$                  | >2/3 $V_{DD}$                    | Low                       | On               |
| High  | >1/3 $V_{DD}$                  | <2/3 $V_{DD}$                    | As previously established |                  |

(1) Voltage levels shown are nominal.

**FUNCTIONAL BLOCK DIAGRAM, EACH TIMER**



RESET can override TRIG, which can override THRES.

## Absolute Maximum Ratings<sup>(1)</sup>

over operating free-air temperature range (unless otherwise noted)

|                  |  | MIN                          | MAX  | UNIT            |
|------------------|--|------------------------------|------|-----------------|
| V <sub>CC</sub>  | Supply voltage <sup>(2)</sup>                        |                              | 18   | V               |
| V <sub>I</sub>   | Input voltage  | CONT, RESET, THRES, and TRIG |      | V <sub>CC</sub> |
| I <sub>O</sub>   | Output current                                       |                              | ±225 | mA              |
| θ <sub>JA</sub>  | Package thermal impedance <sup>(3)(4)</sup>          | D package                    |      | 86              |
|                  |  | N package                    |      | 80              |
|                  |  | NS package                   |      | 76              |
| θ <sub>JC</sub>  | Package thermal impedance <sup>(5)(6)</sup>          | J package                    |      | 15.05           |
| T <sub>J</sub>   | Operating virtual junction temperature               |                              | 150  | °C              |
|                  | Lead temperature 1,6 mm (1/16 in) from case for 60 s | J package                    |      | 300             |
|                  | Lead temperature 1,6 mm (1/16 in) from case for 10 s | D, N, or NS package          |      | 260             |
| T <sub>stg</sub> | Storage temperature range                            | –65                          | 150  | °C              |

- (1) Stresses beyond those listed under "absolute maximum ratings" may cause permanent damage to the device. These are stress ratings only, and functional operation of the device at these or any other conditions beyond those indicated under "recommended operating conditions" is not implied. Exposure to absolute-maximum-rated conditions for extended periods may affect device reliability.
- (2) All voltage values are with respect to network ground terminal.
- (3) Maximum power dissipation is a function of T<sub>J</sub>(max), θ<sub>JA</sub>, and T<sub>A</sub>. The maximum allowable power dissipation at any allowable ambient temperature is P<sub>D</sub> = (T<sub>J</sub>(max) – T<sub>A</sub>)/θ<sub>JA</sub>. Operating at the absolute maximum T<sub>J</sub> of 150°C can affect reliability.
- (4) The package thermal impedance is calculated in accordance with JESD 51-7.
- (5) Maximum power dissipation is a function of T<sub>J</sub>(max), θ<sub>JC</sub>, and T<sub>C</sub>. The maximum allowable power dissipation at any allowable case temperature is P<sub>D</sub> = (T<sub>J</sub>(max) – T<sub>C</sub>)/θ<sub>JC</sub>. Operating at the absolute maximum T<sub>J</sub> of 150°C can affect reliability.
- (6) The package thermal impedance is calculated in accordance with MIL-STD-883.

## Recommended Operating Conditions

|                 |                                | MIN                          | MAX  | UNIT            |
|-----------------|--------------------------------|------------------------------|------|-----------------|
| V <sub>CC</sub> | Supply voltage                 | NA556, NE556, SA556          |      | V               |
|                 |                                | SE556                        |      |                 |
| V <sub>I</sub>  | Input voltage                  | CONT, RESET, THRES, and TRIG |      | V <sub>CC</sub> |
| I <sub>O</sub>  | Output current                 |                              | ±200 | mA              |
| T <sub>A</sub>  | Operating free-air temperature | NA556                        |      | °C              |
|                 |                                | NE556                        |      |                 |
|                 |                                | SA556                        |      |                 |
|                 |                                | SE556                        |      |                 |

### Electrical Characteristics

$V_{CC} = 5\text{ V to }15\text{ V}$ ,  $T_A = 25^\circ\text{C}$  (unless otherwise noted)

| PARAMETER   | TEST CONDITIONS                                       | NA556<br>NE556<br>SA556                        |       |      | SE556 |      |      | UNIT          |   |
|---|---|--|-------|------|-------|------|------|---------------|---|
|   |   | MIN  | TYP   | MAX  | MIN   | TYP  | MAX  |               |   |
| $V_T$ Threshold voltage level                     | $V_{CC} = 15\text{ V}$                                | 8.8  | 10    | 11.2 | 9.4   | 10   | 10.6 | V             |   |
|   | $V_{CC} = 5\text{ V}$                                 | 2.4  | 3.3   | 4.2  | 2.7   | 3.3  | 4    |               |   |
| $I_T$ Threshold current <sup>(1)</sup>            |   |  | 30    | 250  |       | 30   | 250  | nA            |   |
| $V_{TRIG}$ Trigger voltage level                  | $V_{CC} = 15\text{ V}$                                | $T_A = -55^\circ\text{C to }125^\circ\text{C}$ | 4.5   | 5    | 5.6   | 4.8  | 5    | 5.2           | V |
|   |   |  |       |      |       | 3    |      | 6             |   |
|   | $V_{CC} = 5\text{ V}$                                 | $T_A = -55^\circ\text{C to }125^\circ\text{C}$ | 1.1   | 1.67 | 2.2   | 1.45 | 1.67 | 1.9           |   |
|   |   |  |       |      |       |      |      | 1.9           |   |
| $I_{TRIG}$ Trigger current                        | TRIG at 0 V   |  | 0.5   | 2    |       | 0.5  | 0.9  | $\mu\text{A}$ |   |
| $V_{RESET}$ Reset voltage level                   |   | 0.3  | 0.7   | 1    | 0.3   | 0.7  | 1    | V             |   |
|   | $T_A = -55^\circ\text{C to }125^\circ\text{C}$        |  |       |      |       |      | 1.1  |               |   |
| $I_{RESET}$ Reset current                         | RESET at $V_{CC}$                                     |  | 0.1   | 0.4  |       | 0.1  | 0.4  | mA            |   |
|   | RESET at 0 V  |  | -0.4  | 1.5  |       | -0.4 | -1   |               |   |
| $I_{DISCH}$ Discharge switch off-state current    |   |  | 20    | 100  |       | 20   | 100  | nA            |   |
| $V_{CONT}$ Control voltage (open circuit)         | $V_{CC} = 15\text{ V}$                                | $T_A = -55^\circ\text{C to }125^\circ\text{C}$ | 9     | 10   | 11    | 9.6  | 10   | 10.4          | V |
|   |   |  |       |      |       | 9.6  |      | 10.4          |   |
|   | $V_{CC} = 5\text{ V}$                                 | $T_A = -55^\circ\text{C to }125^\circ\text{C}$ | 2.6   | 3.3  | 4     | 2.9  | 3.3  | 3.8           |   |
|   |   |  |       |      |       | 2.9  |      | 3.8           |   |
| $V_{OL}$ Low-level output voltage                 | $V_{CC} = 15\text{ V}$ ,<br>$I_{OL} = 10\text{ mA}$   | $T_A = -55^\circ\text{C to }125^\circ\text{C}$ | 0.1   | 0.25 |       | 0.1  | 0.15 | V             |   |
|   |   |  |       |      |       |      | 0.2  |               |   |
|   | $V_{CC} = 15\text{ V}$ ,<br>$I_{OL} = 50\text{ mA}$   | $T_A = -55^\circ\text{C to }125^\circ\text{C}$ | 0.4   | 0.75 |       | 0.4  | 0.5  |               |   |
|   |   |  |       |      |       |      | 1    |               |   |
|   | $V_{CC} = 15\text{ V}$ ,<br>$I_{OL} = 100\text{ mA}$  | $T_A = -55^\circ\text{C to }125^\circ\text{C}$ | 2     | 2.5  |       | 2    | 2.2  |               |   |
|   |   |  |       |      |       |      | 2.7  |               |   |
|   | $V_{CC} = 15\text{ V}$ , $I_{OL} = 200\text{ mA}$     |  | 2.5   |      | 2.5   |      |      |               |   |
|   | $V_{CC} = 5\text{ V}$ ,<br>$I_{OL} = 3.5\text{ mA}$   | $T_A = -55^\circ\text{C to }125^\circ\text{C}$ |       |      |       |      | 0.35 |               |   |
| $V_{CC} = 5\text{ V}$ ,<br>$I_{OL} = 5\text{ mA}$ | $T_A = -55^\circ\text{C to }125^\circ\text{C}$        | 0.1  | 0.25  |      | 0.1   | 0.15 |      |               |   |
|   |   |  |       |      |       | 0.8  |      |               |   |
| $V_{CC} = 5\text{ V}$ , $I_{OL} = 8\text{ mA}$    |   | 0.15   | 0.3   |      | 0.15  | 0.25 |      |               |   |
| $V_{OH}$ High-level output voltage                | $V_{CC} = 15\text{ V}$ ,<br>$I_{OH} = -100\text{ mA}$ | $T_A = -55^\circ\text{C to }125^\circ\text{C}$ | 12.75 | 13.3 |       | 13   | 13.3 | V             |   |
|   |   |  |       |      |       | 12   |      |               |   |
|   | $V_{CC} = 15\text{ V}$ , $I_{OH} = -200\text{ mA}$    |  | 12.5  |      | 12.5  |      |      |               |   |
|   | $V_{CC} = 5\text{ V}$ ,<br>$I_{OH} = -100\text{ mA}$  | $T_A = -55^\circ\text{C to }125^\circ\text{C}$ | 2.75  | 3.3  |       | 3    | 3.3  |               |   |
|   |   |  |       |      | 2     |      |      |               |   |
| $I_{CC}$ Supply current                           | Output low,<br>No load                                | $V_{CC} = 15\text{ V}$                         | 20    | 30   |       | 20   | 24   | mA            |   |
|   |   | $V_{CC} = 5\text{ V}$                          | 6     | 12   |       | 6    | 10   |               |   |
|   | Output high,<br>No load                               | $V_{CC} = 15\text{ V}$                         | 18    | 26   |       | 18   | 20   |               |   |
|   |   | $V_{CC} = 5\text{ V}$                          | 4     | 10   |       | 4    | 8    |               |   |

(1) This parameter influences the maximum value of the timing resistors  $R$  and  $R_B$  in the circuit of Figure 1. For example, when  $V_{CC} = 5\text{ V}$ , the maximum value is  $R = R_A + R_B \approx 3.4\text{ M}\Omega$ , and for  $V_{CC} = 15\text{ V}$ , the maximum value is  $\approx 10\text{ M}\Omega$ .

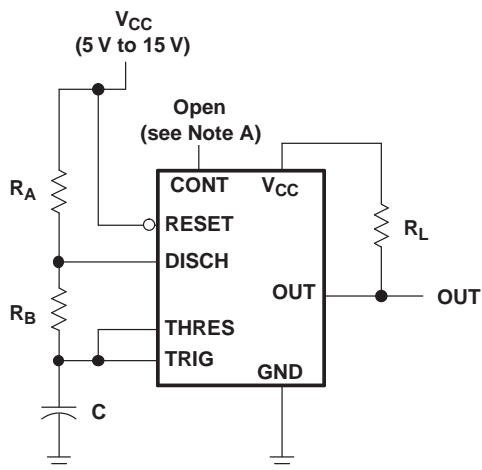
## Operating Characteristics

$V_{CC} = 5\text{ V}$  and  $15\text{ V}$

| PARAMETER                                       |                                       | TEST CONDITIONS <sup>(1)</sup>                     | NA556<br>NE556<br>SA556 |           |     | SE556 |           |                    | UNIT                  |
|---|---------------------------------------|--|-------------------------|-----------|-----|-------|-----------|--------------------|-----------------------|
|   |                                       |  | MIN                     | TYP       | MAX | MIN   | TYP       | MAX                |                       |
| Initial error of timing interval <sup>(2)</sup> | Each timer, monostable <sup>(3)</sup> | $T_A = 25^\circ\text{C}$                           |                         | 1         | 3   |       | 0.5       | 1.5 <sup>(4)</sup> |                       |
|   | Each timer, astable <sup>(5)</sup>    |  |                         | 2.25%     |     |       | 1.5%      |                    |                       |
|   | Timer 1 – Timer 2                     |  |                         | $\pm 1$   |     |       | $\pm 0.5$ |                    |                       |
| Temperature coefficient of timing interval      | Each timer, monostable <sup>(3)</sup> | $T_A = \text{MIN to MAX}$                          |                         | 50        |     |       | 30        | 100 <sup>(4)</sup> | ppm/ $^\circ\text{C}$ |
|   | Each timer, astable <sup>(5)</sup>    |  |                         | 150       |     |       | 90        |                    |                       |
|   | Timer 1 – Timer 2                     |  |                         | $\pm 10$  |     |       | $\pm 10$  |                    |                       |
| Supply voltage sensitivity of timing interval   | Each timer, monostable <sup>(3)</sup> | $T_A = 25^\circ\text{C}$                           |                         | 0.1       | 0.5 |       | 0.05      | 0.2 <sup>(4)</sup> | %/ $V$                |
|   | Each timer, astable <sup>(5)</sup>    |  |                         | 0.3       |     |       | 0.15      |                    |                       |
|   | Timer 1 – Timer 2                     |  |                         | $\pm 0.2$ |     |       | $\pm 0.1$ |                    |                       |
| Output-pulse rise time                          |                                       | $C_L = 15\text{ pF}$ ,<br>$T_A = 25^\circ\text{C}$ |                         | 100       | 300 |       | 100       | 200 <sup>(4)</sup> | ns                    |
| Output-pulse fall time                          |                                       | $C_L = 15\text{ pF}$ ,<br>$T_A = 25^\circ\text{C}$ |                         | 100       | 300 |       | 100       | 200 <sup>(4)</sup> | ns                    |

- (1) For conditions shown as MIN or MAX, use the appropriate value specified under recommended operating conditions.
- (2) Timing-interval error is defined as the difference between the measured value and the average value of a random sample from each process run.
- (3) Values specified are for a device in a monostable circuit similar to [Figure 2](#), with the following component values:  $R_A = 2\text{ k}\Omega$  to  $100\text{ k}\Omega$ ,  $C = 0.1\text{ }\mu\text{F}$ .
- (4) On products compliant to MIL-PRF-38535, this parameter is not production tested.
- (5) Values specified are for a device in an astable circuit similar to [Figure 1](#), with the following component values:  $R_A = 1\text{ k}\Omega$  to  $100\text{ k}\Omega$ ,  $C = 0.1\text{ }\mu\text{F}$ .

APPLICATION INFORMATION



NOTE A: Bypassing the control-voltage input to ground with a capacitor might improve operation. This should be evaluated for individual applications.

Figure 1. Circuit for Astable Operation

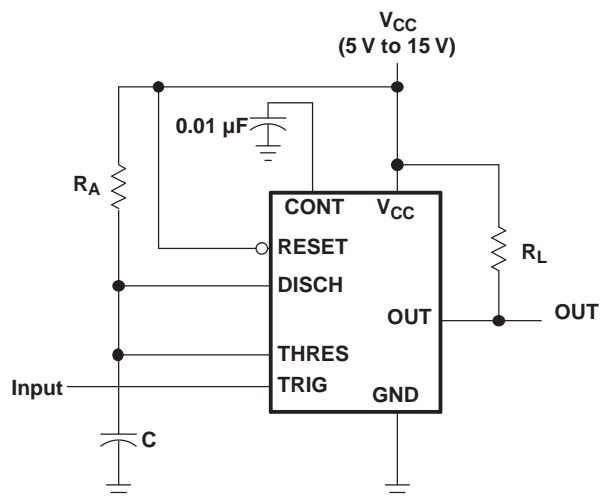


Figure 2. Circuit for Monostable Operation

**PACKAGING INFORMATION**

| Orderable Device | Status<br>(1) | Package Type | Package Drawing | Pins | Package Qty | Eco Plan<br>(2)  | Lead finish/<br>Ball material<br>(6) | MSL Peak Temp<br>(3) | Op Temp (°C) | Device Marking<br>(4/5) | Samples                 |
|------------------|---------------|--------------|-----------------|------|-------------|------------------|--------------------------------------|----------------------|--------------|-------------------------|-------------------------|
| JM38510/10902BCA | ACTIVE        | CDIP         | J               | 14   | 1           | Non-RoHS & Green | SNPB                                 | N / A for Pkg Type   | -55 to 125   | JM38510 /10902BCA       | <a href="#">Samples</a> |
| M38510/10902BCA  | ACTIVE        | CDIP         | J               | 14   | 1           | Non-RoHS & Green | SNPB                                 | N / A for Pkg Type   | -55 to 125   | JM38510 /10902BCA       | <a href="#">Samples</a> |
| NA556D           | LIFEBUY       | SOIC         | D               | 14   | 50          | RoHS & Green     | NIPDAU                               | Level-1-260C-UNLIM   | -40 to 105   | NA556                   |                         |
| NA556DR          | ACTIVE        | SOIC         | D               | 14   | 2500        | RoHS & Green     | NIPDAU                               | Level-1-260C-UNLIM   | -40 to 105   | NA556                   | <a href="#">Samples</a> |
| NA556N           | ACTIVE        | PDIP         | N               | 14   | 25          | RoHS & Green     | NIPDAU                               | N / A for Pkg Type   | -40 to 105   | NA556N                  | <a href="#">Samples</a> |
| NE556D           | LIFEBUY       | SOIC         | D               | 14   | 50          | RoHS & Green     | NIPDAU                               | Level-1-260C-UNLIM   | 0 to 70      | NE556                   |                         |
| NE556DBR         | ACTIVE        | SSOP         | DB              | 14   | 2000        | RoHS & Green     | NIPDAU                               | Level-1-260C-UNLIM   | 0 to 70      | N556                    | <a href="#">Samples</a> |
| NE556DR          | ACTIVE        | SOIC         | D               | 14   | 2500        | RoHS & Green     | NIPDAU                               | Level-1-260C-UNLIM   | 0 to 70      | NE556                   | <a href="#">Samples</a> |
| NE556DRE4        | LIFEBUY       | SOIC         | D               | 14   | 2500        | RoHS & Green     | NIPDAU                               | Level-1-260C-UNLIM   | 0 to 70      | NE556                   |                         |
| NE556DRG4        | ACTIVE        | SOIC         | D               | 14   | 2500        | TBD              | Call TI                              | Call TI              | 0 to 70      |                         | <a href="#">Samples</a> |
| NE556N           | ACTIVE        | PDIP         | N               | 14   | 25          | RoHS & Green     | NIPDAU                               | N / A for Pkg Type   | 0 to 70      | NE556N                  | <a href="#">Samples</a> |
| NE556NE4         | LIFEBUY       | PDIP         | N               | 14   | 25          | RoHS & Green     | NIPDAU                               | N / A for Pkg Type   | 0 to 70      | NE556N                  |                         |
| NE556NSR         | ACTIVE        | SO           | NS              | 14   | 2000        | RoHS & Green     | NIPDAU                               | Level-1-260C-UNLIM   | 0 to 70      | NE556                   | <a href="#">Samples</a> |
| SA556N           | ACTIVE        | PDIP         | N               | 14   | 25          | RoHS & Green     | NIPDAU                               | N / A for Pkg Type   | -40 to 85    | SA556N                  | <a href="#">Samples</a> |
| SA556NE4         | LIFEBUY       | PDIP         | N               | 14   | 25          | RoHS & Green     | NIPDAU                               | N / A for Pkg Type   | -40 to 85    | SA556N                  |                         |
| SE556J           | ACTIVE        | CDIP         | J               | 14   | 1           | Non-RoHS & Green | SNPB                                 | N / A for Pkg Type   | -55 to 125   | SE556J                  | <a href="#">Samples</a> |
| SE556JB          | ACTIVE        | CDIP         | J               | 14   | 1           | Non-RoHS & Green | SNPB                                 | N / A for Pkg Type   | -55 to 125   | SE556JB                 | <a href="#">Samples</a> |

(1) The marketing status values are defined as follows:

**ACTIVE:** Product device recommended for new designs.

**LIFEBUY:** TI has announced that the device will be discontinued, and a lifetime-buy period is in effect.

**NRND:** Not recommended for new designs. Device is in production to support existing customers, but TI does not recommend using this part in a new design.

**PREVIEW:** Device has been announced but is not in production. Samples may or may not be available.

**OBSELETE:** TI has discontinued the production of the device.

(2) **RoHS:** TI defines "RoHS" to mean semiconductor products that are compliant with the current EU RoHS requirements for all 10 RoHS substances, including the requirement that RoHS substance do not exceed 0.1% by weight in homogeneous materials. Where designed to be soldered at high temperatures, "RoHS" products are suitable for use in specified lead-free processes. TI may reference these types of products as "Pb-Free".

**RoHS Exempt:** TI defines "RoHS Exempt" to mean products that contain lead but are compliant with EU RoHS pursuant to a specific EU RoHS exemption.

**Green:** TI defines "Green" to mean the content of Chlorine (Cl) and Bromine (Br) based flame retardants meet JS709B low halogen requirements of  $\leq 1000$ ppm threshold. Antimony trioxide based flame retardants must also meet the  $\leq 1000$ ppm threshold requirement.

(3) **MSL, Peak Temp.** - The Moisture Sensitivity Level rating according to the JEDEC industry standard classifications, and peak solder temperature.

(4) There may be additional marking, which relates to the logo, the lot trace code information, or the environmental category on the device.

(5) Multiple Device Markings will be inside parentheses. Only one Device Marking contained in parentheses and separated by a "~" will appear on a device. If a line is indented then it is a continuation of the previous line and the two combined represent the entire Device Marking for that device.

(6) **Lead finish/Ball material** - Orderable Devices may have multiple material finish options. Finish options are separated by a vertical ruled line. Lead finish/Ball material values may wrap to two lines if the finish value exceeds the maximum column width.

**Important Information and Disclaimer:**The information provided on this page represents TI's knowledge and belief as of the date that it is provided. TI bases its knowledge and belief on information provided by third parties, and makes no representation or warranty as to the accuracy of such information. Efforts are underway to better integrate information from third parties. TI has taken and continues to take reasonable steps to provide representative and accurate information but may not have conducted destructive testing or chemical analysis on incoming materials and chemicals. TI and TI suppliers consider certain information to be proprietary, and thus CAS numbers and other limited information may not be available for release.

In no event shall TI's liability arising out of such information exceed the total purchase price of the TI part(s) at issue in this document sold by TI to Customer on an annual basis.



## TAPE AND REEL INFORMATION



### QUADRANT ASSIGNMENTS FOR PIN 1 ORIENTATION IN TAPE



\*All dimensions are nominal

| Device   | Package Type | Package Drawing | Pins | SPQ  | Reel Diameter (mm) | Reel Width W1 (mm) | A0 (mm) | B0 (mm) | K0 (mm) | P1 (mm) | W (mm) | Pin1 Quadrant |
|----------|--------------|-----------------|------|------|--------------------|--------------------|---------|---------|---------|---------|--------|---------------|
| NA556DR  | SOIC         | D               | 14   | 2500 | 330.0              | 16.4               | 6.5     | 9.0     | 2.1     | 8.0     | 16.0   | Q1            |
| NE556DBR | SSOP         | DB              | 14   | 2000 | 330.0              | 16.4               | 8.35    | 6.6     | 2.4     | 12.0    | 16.0   | Q1            |
| NE556DR  | SOIC         | D               | 14   | 2500 | 330.0              | 16.4               | 6.5     | 9.0     | 2.1     | 8.0     | 16.0   | Q1            |
| NE556NSR | SO           | NS              | 14   | 2000 | 330.0              | 16.4               | 8.2     | 10.5    | 2.5     | 12.0    | 16.0   | Q1            |

## TAPE AND REEL BOX DIMENSIONS



\*All dimensions are nominal

| Device   | Package Type | Package Drawing | Pins | SPQ  | Length (mm) | Width (mm) | Height (mm) |
|----------|--------------|-----------------|------|------|-------------|------------|-------------|
| NA556DR  | SOIC         | D               | 14   | 2500 | 356.0       | 356.0      | 35.0        |
| NE556DBR | SSOP         | DB              | 14   | 2000 | 356.0       | 356.0      | 35.0        |
| NE556DR  | SOIC         | D               | 14   | 2500 | 356.0       | 356.0      | 35.0        |
| NE556NSR | SO           | NS              | 14   | 2000 | 356.0       | 356.0      | 35.0        |

**TUBE**


\*All dimensions are nominal

| Device   | Package Name | Package Type | Pins | SPQ | L (mm) | W (mm) | T (μm) | B (mm) |
|----------|--------------|--------------|------|-----|--------|--------|--------|--------|
| NA556D   | D            | SOIC         | 14   | 50  | 506.6  | 8      | 3940   | 4.32   |
| NA556N   | N            | PDIP         | 14   | 25  | 506    | 13.97  | 11230  | 4.32   |
| NA556N   | N            | PDIP         | 14   | 25  | 506    | 13.97  | 11230  | 4.32   |
| NE556D   | D            | SOIC         | 14   | 50  | 506.6  | 8      | 3940   | 4.32   |
| NE556N   | N            | PDIP         | 14   | 25  | 506    | 13.97  | 11230  | 4.32   |
| NE556N   | N            | PDIP         | 14   | 25  | 506    | 13.97  | 11230  | 4.32   |
| NE556NE4 | N            | PDIP         | 14   | 25  | 506    | 13.97  | 11230  | 4.32   |
| NE556NE4 | N            | PDIP         | 14   | 25  | 506    | 13.97  | 11230  | 4.32   |
| SA556N   | N            | PDIP         | 14   | 25  | 506    | 13.97  | 11230  | 4.32   |
| SA556NE4 | N            | PDIP         | 14   | 25  | 506    | 13.97  | 11230  | 4.32   |

# MECHANICAL DATA

NS (R-PDSO-G\*\*)

PLASTIC SMALL-OUTLINE PACKAGE

14-PINS SHOWN



- NOTES:
- A. All linear dimensions are in millimeters.
  - B. This drawing is subject to change without notice.
  - C. Body dimensions do not include mold flash or protrusion, not to exceed 0,15.

J 14

**GENERIC PACKAGE VIEW**  
**CDIP - 5.08 mm max height**  
CERAMIC DUAL IN LINE PACKAGE



Images above are just a representation of the package family, actual package may vary.  
Refer to the product data sheet for package details.

4040083-5/G

J0014A



# PACKAGE OUTLINE

CDIP - 5.08 mm max height

CERAMIC DUAL IN LINE PACKAGE



4214771/A 05/2017

NOTES:

1. All controlling linear dimensions are in inches. Dimensions in brackets are in millimeters. Any dimension in brackets or parenthesis are for reference only. Dimensioning and tolerancing per ASME Y14.5M.
2. This drawing is subject to change without notice.
3. This package is hermetically sealed with a ceramic lid using glass frit.
4. Index point is provided on cap for terminal identification only and on press ceramic glass frit seal only.
5. Falls within MIL-STD-1835 and GDIP1-T14.

# EXAMPLE BOARD LAYOUT

J0014A

CDIP - 5.08 mm max height

CERAMIC DUAL IN LINE PACKAGE



LAND PATTERN EXAMPLE  
NON-SOLDER MASK DEFINED  
SCALE: 5X



4214771/A 05/2017





D (R-PDSO-G14)

PLASTIC SMALL OUTLINE



4211283-3/E 08/12

- NOTES:
- All linear dimensions are in millimeters.
  - This drawing is subject to change without notice.
  - Publication IPC-7351 is recommended for alternate designs.
  - Laser cutting apertures with trapezoidal walls and also rounding corners will offer better paste release. Customers should contact their board assembly site for stencil design recommendations. Refer to IPC-7525 for other stencil recommendations.
  - Customers should contact their board fabrication site for solder mask tolerances between and around signal pads.

N (R-PDIP-T\*\*)

PLASTIC DUAL-IN-LINE PACKAGE

16 PINS SHOWN



4040049/E 12/2002

- NOTES:
- A. All linear dimensions are in inches (millimeters).
  - B. This drawing is subject to change without notice.
  - $\triangle C$  Falls within JEDEC MS-001, except 18 and 20 pin minimum body length (Dim A).
  - $\triangle D$  The 20 pin end lead shoulder width is a vendor option, either half or full width.

DB (R-PDSO-G\*\*)

PLASTIC SMALL-OUTLINE

28 PINS SHOWN



- NOTES: A. All linear dimensions are in millimeters.  
 B. This drawing is subject to change without notice.  
 C. Body dimensions do not include mold flash or protrusion not to exceed 0,15.  
 D. Falls within JEDEC MO-150

## IMPORTANT NOTICE AND DISCLAIMER

TI PROVIDES TECHNICAL AND RELIABILITY DATA (INCLUDING DATA SHEETS), DESIGN RESOURCES (INCLUDING REFERENCE DESIGNS), APPLICATION OR OTHER DESIGN ADVICE, WEB TOOLS, SAFETY INFORMATION, AND OTHER RESOURCES "AS IS" AND WITH ALL FAULTS, AND DISCLAIMS ALL WARRANTIES, EXPRESS AND IMPLIED, INCLUDING WITHOUT LIMITATION ANY IMPLIED WARRANTIES OF MERCHANTABILITY, FITNESS FOR A PARTICULAR PURPOSE OR NON-INFRINGEMENT OF THIRD PARTY INTELLECTUAL PROPERTY RIGHTS.

These resources are intended for skilled developers designing with TI products. You are solely responsible for (1) selecting the appropriate TI products for your application, (2) designing, validating and testing your application, and (3) ensuring your application meets applicable standards, and any other safety, security, regulatory or other requirements.

These resources are subject to change without notice. TI grants you permission to use these resources only for development of an application that uses the TI products described in the resource. Other reproduction and display of these resources is prohibited. No license is granted to any other TI intellectual property right or to any third party intellectual property right. TI disclaims responsibility for, and you will fully indemnify TI and its representatives against, any claims, damages, costs, losses, and liabilities arising out of your use of these resources.

TI's products are provided subject to [TI's Terms of Sale](#) or other applicable terms available either on [ti.com](https://www.ti.com) or provided in conjunction with such TI products. TI's provision of these resources does not expand or otherwise alter TI's applicable warranties or warranty disclaimers for TI products.

TI objects to and rejects any additional or different terms you may have proposed.

Mailing Address: Texas Instruments, Post Office Box 655303, Dallas, Texas 75265  
Copyright © 2023, Texas Instruments Incorporated