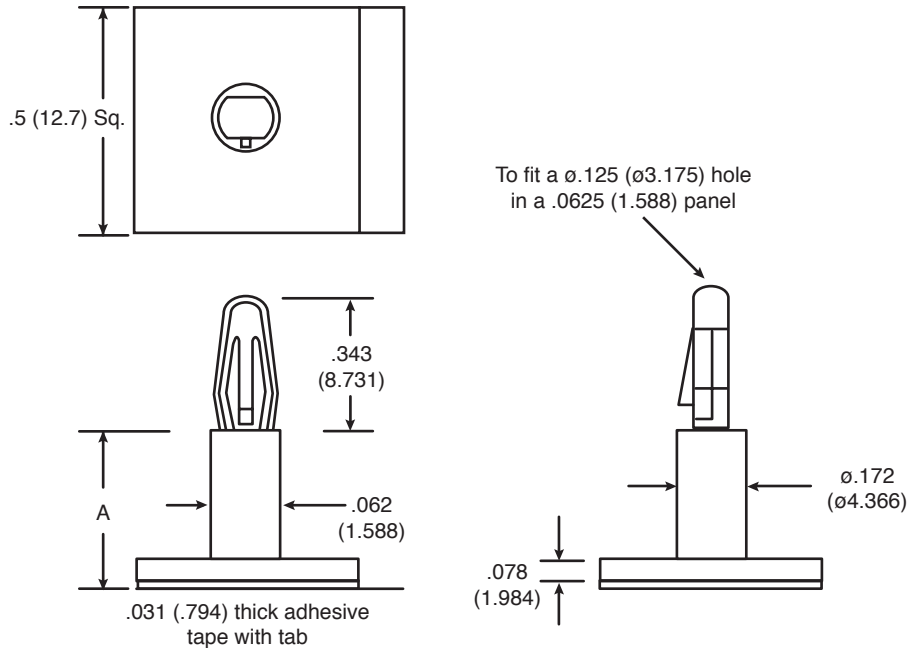


Mini Locking PCB Support

561-187TAB, 561-250TAB, 561-312TAB, 561-375TAB,
561-437TAB, 561-500TAB, 561-562TAB, 561-625TAB

Date Last Revised: 10-23-06



Dimensions: in. (mm)

- Adhesive backed mini locking PCB supports are molded in natural colored nylon 6/6 material
- Ideal for smaller sized circuit boards
- Double adhesive foam tape has a release tab for easy removal of backing
- Available in 8 board spacings from 3/16" to 5/8"

SPECIFICATIONS		
Mouser Num.	Description	Head Dia. B: In (mm)
561-187TAB	3/16" Mini Locking PCB Support	.1875 (4.76)
561-250TAB	1/4" Mini Locking PCB Support	.25 (6.35)
561-312TAB	5/16" Mini Locking PCB Support	.3125 (7.94)
561-375TAB	3/8" Mini Locking PCB Support	.375 (9.53)
561-437TAB	7/16" Mini Locking PCB Support	.4375 (11.11)
561-500TAB	1/2" Mini Locking PCB Support	.5 (12.7)
561-562TAB	9/16" Mini Locking PCB Support	.5625 (14.29)
561-625TAB	5/8" Mini Locking PCB Support	.625 (15.88)

Available from Mouser Electronics
1-800-346-6873
www.mouser.com

EPD-200446