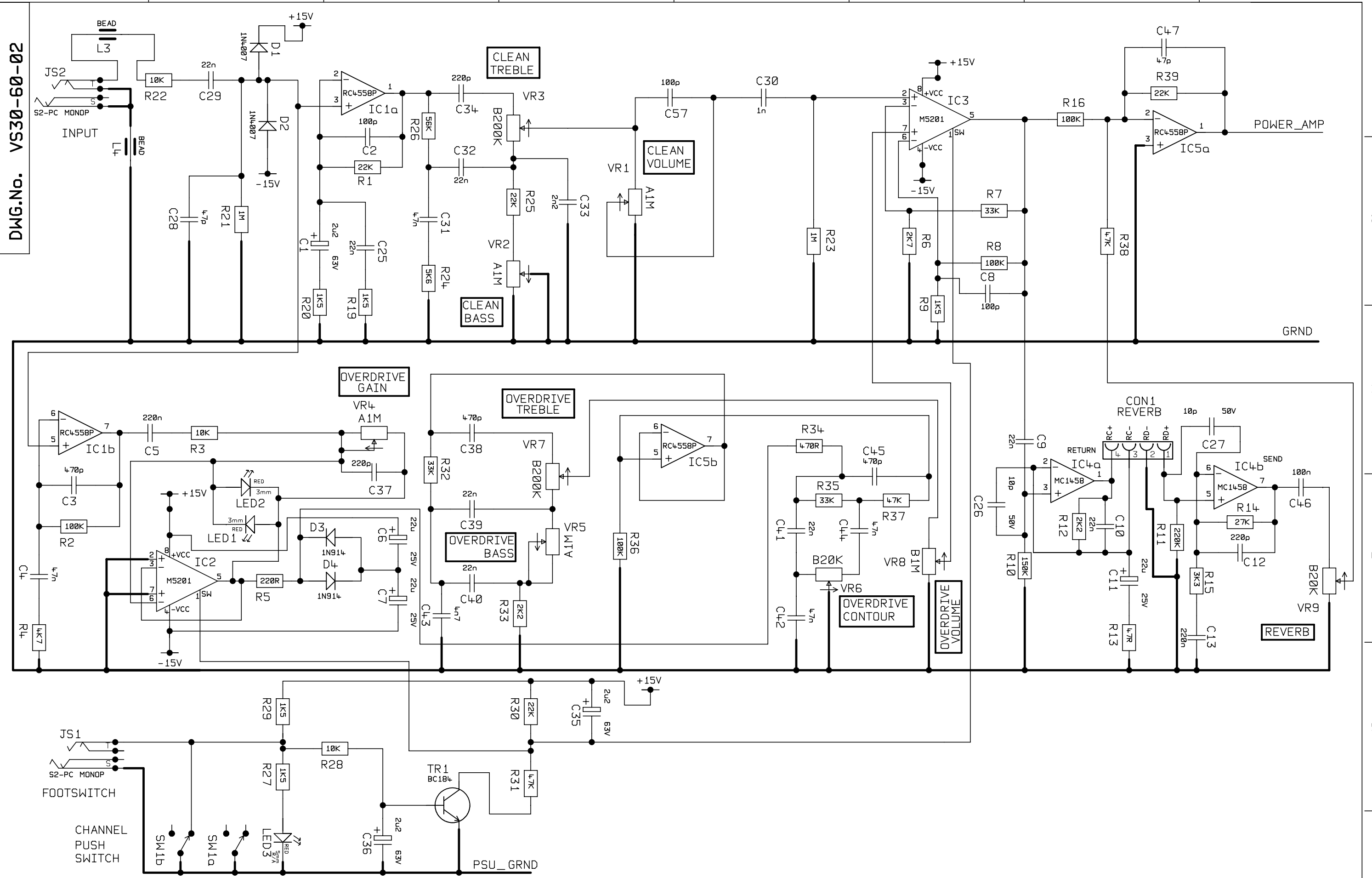


DWG.No. VS30-60-02



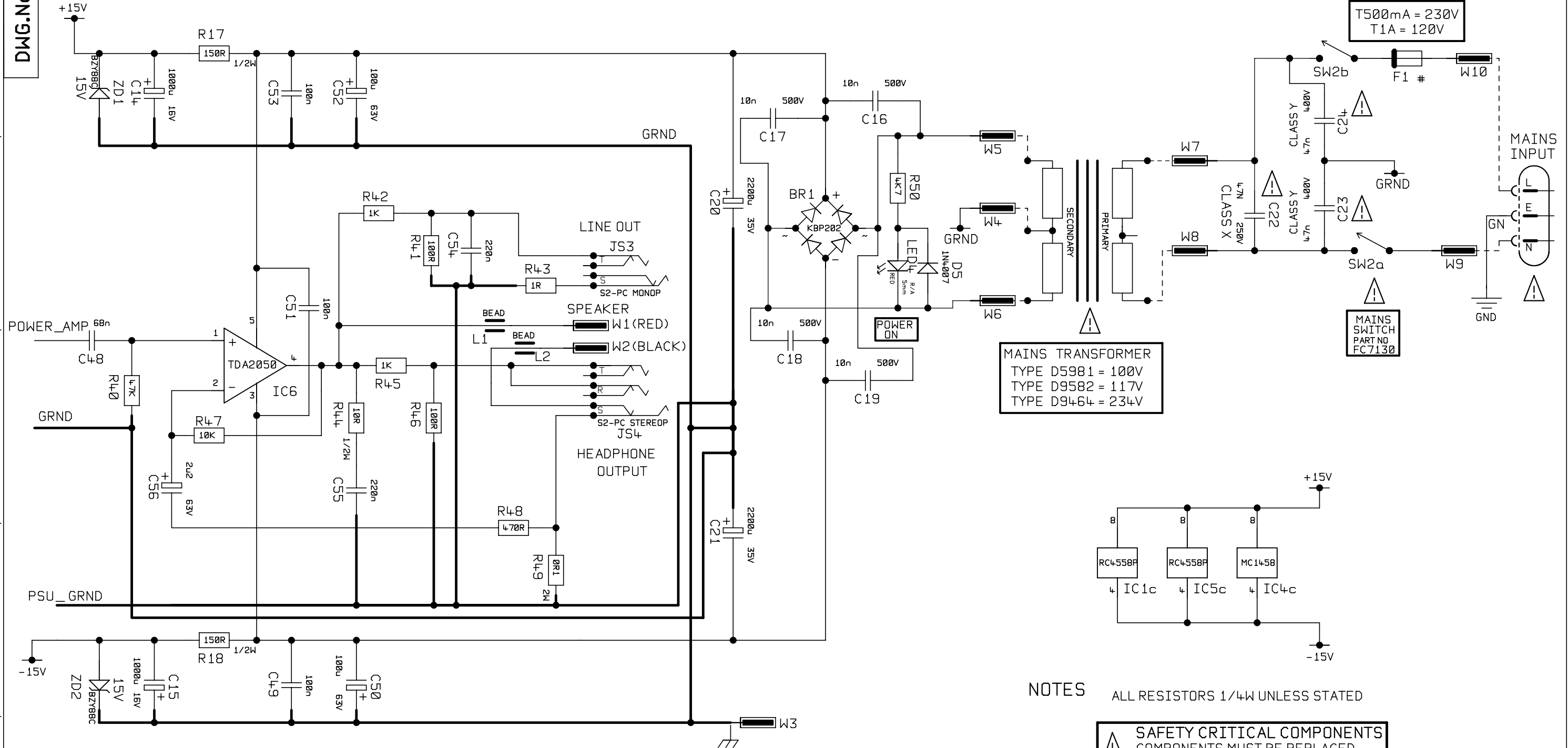
3	1217	17/7/96	ALL OTHER HOLES =				X = (THROUGH PLATED)			
2	1064	28/11/95	A	B	E	F	J	K	N	
1		12/10/95	C	D	G	H	L	M	P	
ISS	ECO NUMBER	DATE	D	H	H	H	M	M	R	

MATERIAL		DIMENSIONS IN	
MATERIAL THICKNESS		TOLERANCE (UNLESS OTHERWISE STATED)	
DRAWN RSB	DATE 18/09/95	MODEL VS30	
CHECKED	DATE		
APPROVED	DATE		



TITLE	VS30 CIRCUIT DIAGRAM
DWG.No	VS30-60-02
SHEET 1 OF 2 ISS	3

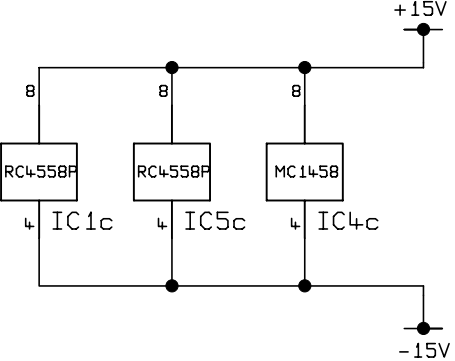
DWG.No. VS30-60-02



**MAINS TRANSFORMER**  
 TYPE D5981 = 100V  
 TYPE D9582 = 117V  
 TYPE D9464 = 234V

T500mA = 230V  
 T1A = 120V

MAINS SWITCH  
 PART NO  
 FC7130



NOTES ALL RESISTORS 1/4W UNLESS STATED

**SAFETY CRITICAL COMPONENTS**  
 COMPONENTS MUST BE REPLACED  
 WITH THE SAME TYPE AND  
 RATING ONLY.

3	1217	17/7/96	ALL OTHER HOLES =				X = (THROUGH PLATED)			
2	1064	28/11/95	A	E	J	N	B	F	K	P
1		12/10/95	C	G	L	Q	D	H	M	R
ISS	ECO NUMBER	DATE	D	H	M	R				

MATERIAL		DIMENSIONS IN	
MATERIAL THICKNESS		TOLERANCE (UNLESS OTHERWISE STATED)	
DRAWN RSB	DATE 18/09/95		
CHECKED	DATE	MODEL VS30	
APPROVED	DATE		

*Marshall*  
 MARSHALL AMPLIFICATION PLC.  
 DENBIGH ROAD, BLETCHLEY, MILTON KEYNES, MK1 1DQ.  
 TEL (01908)375411 FAX (0908)376118

TITLE	VS30 CIRCUIT DIAGRAM	
DWG.No	SHEET 2 OF 2	ISS
VS30-60-02		3